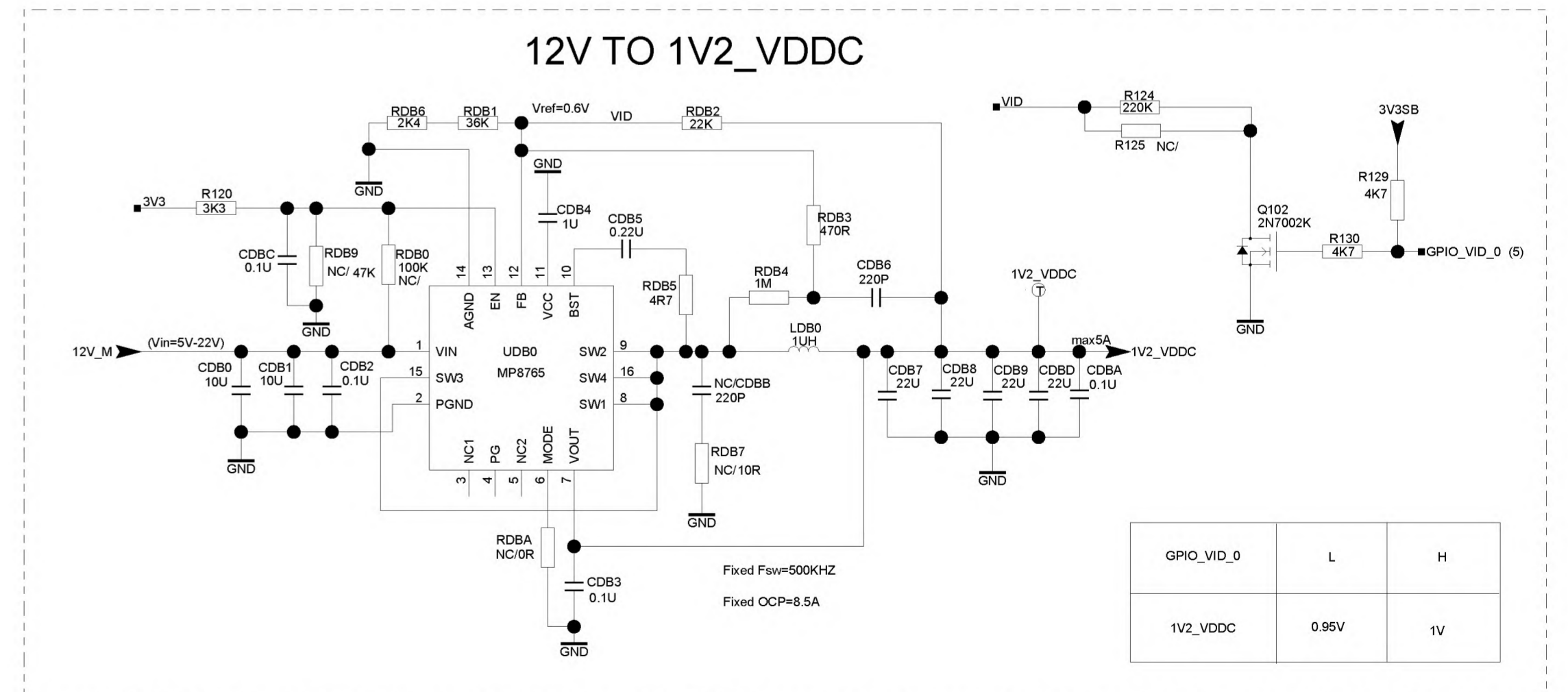
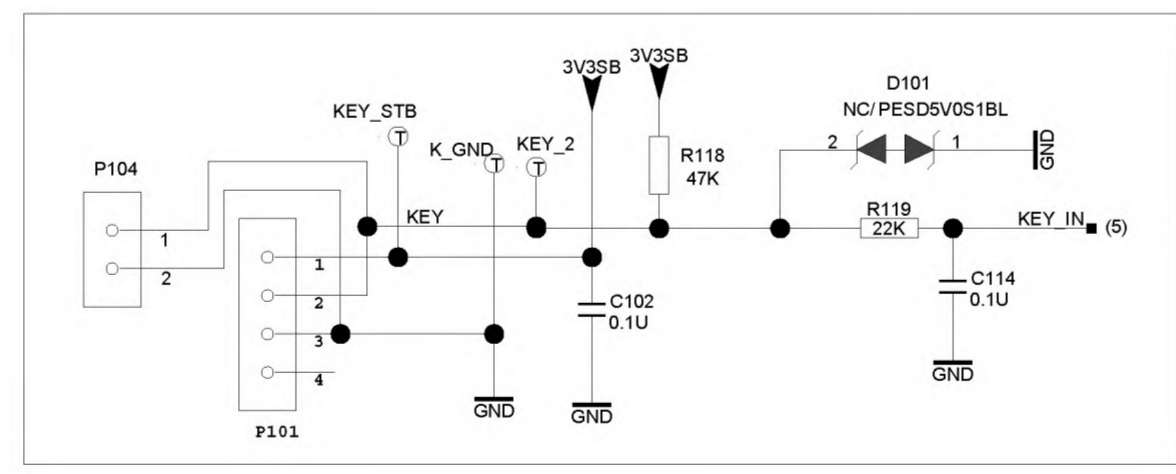
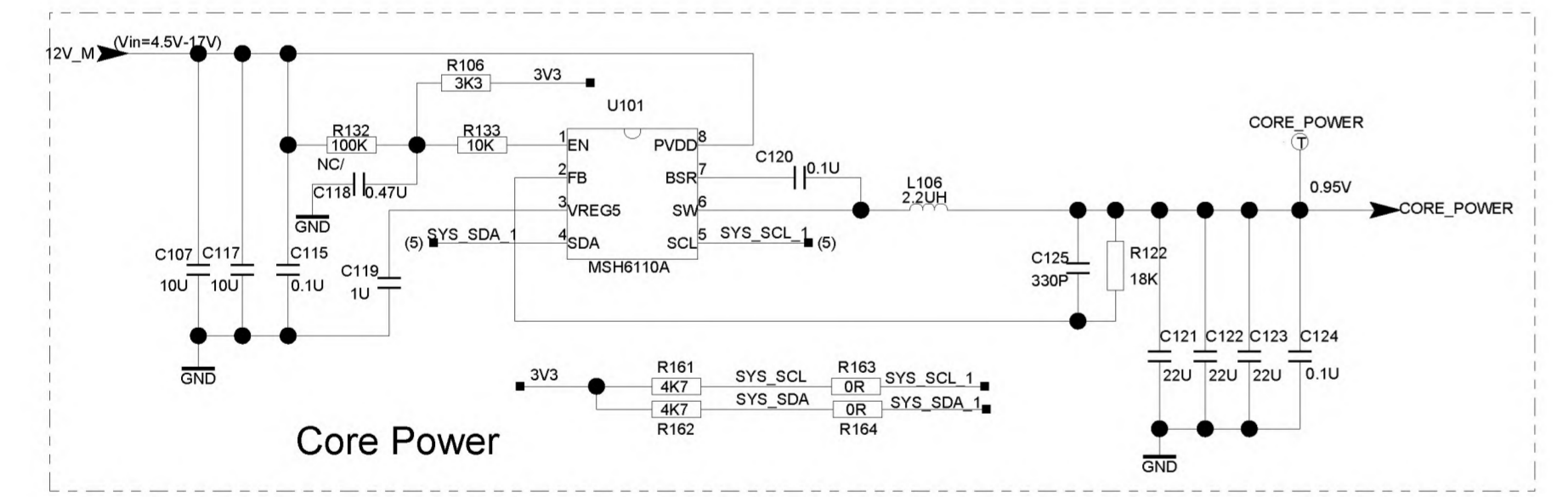
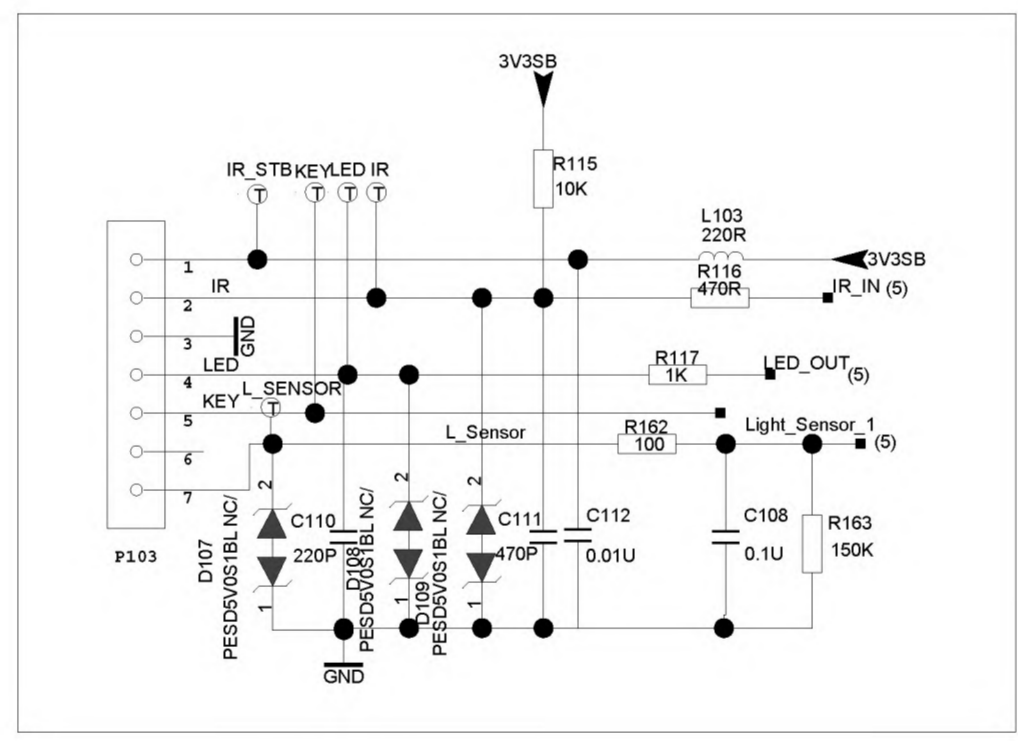
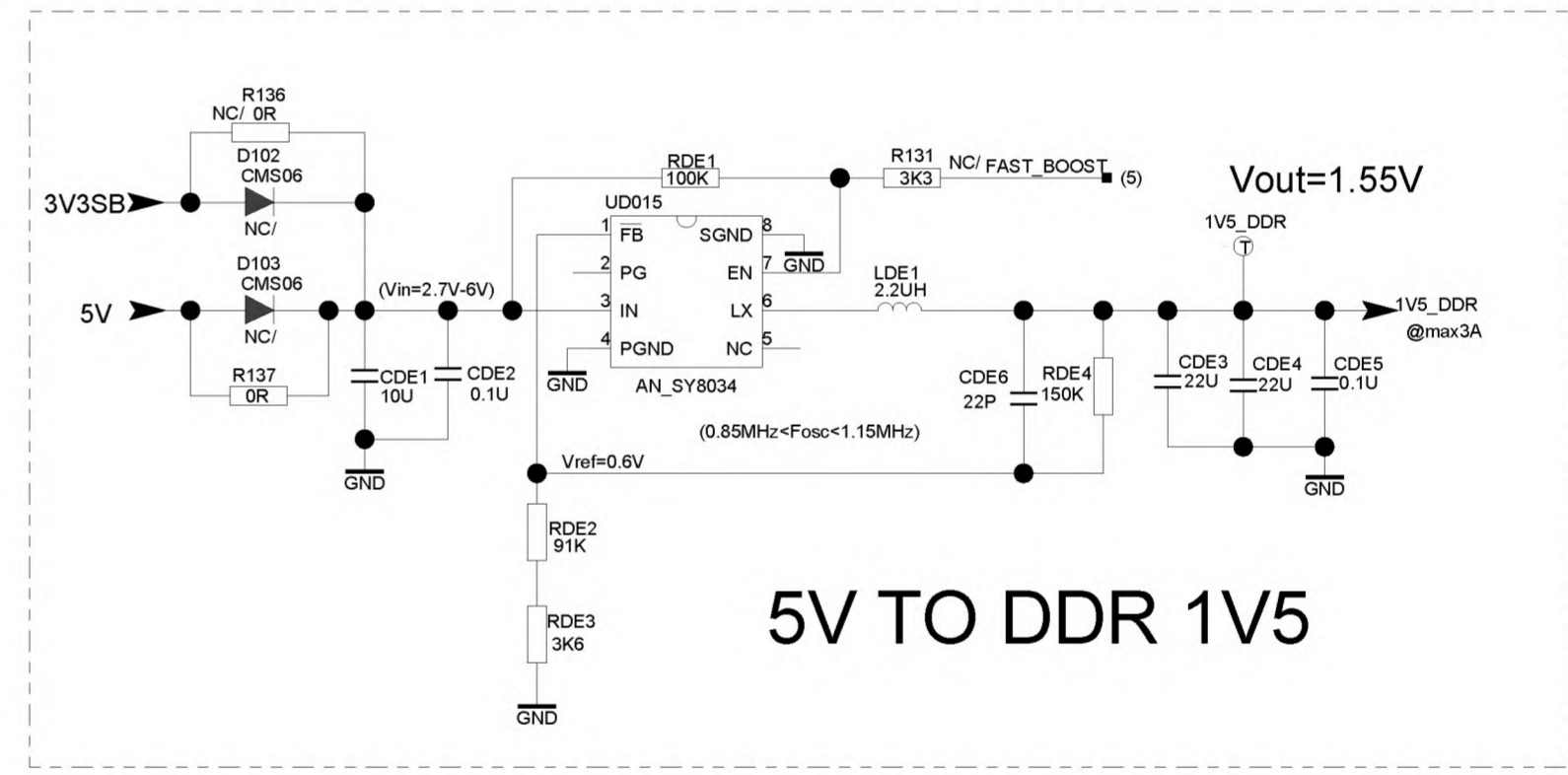
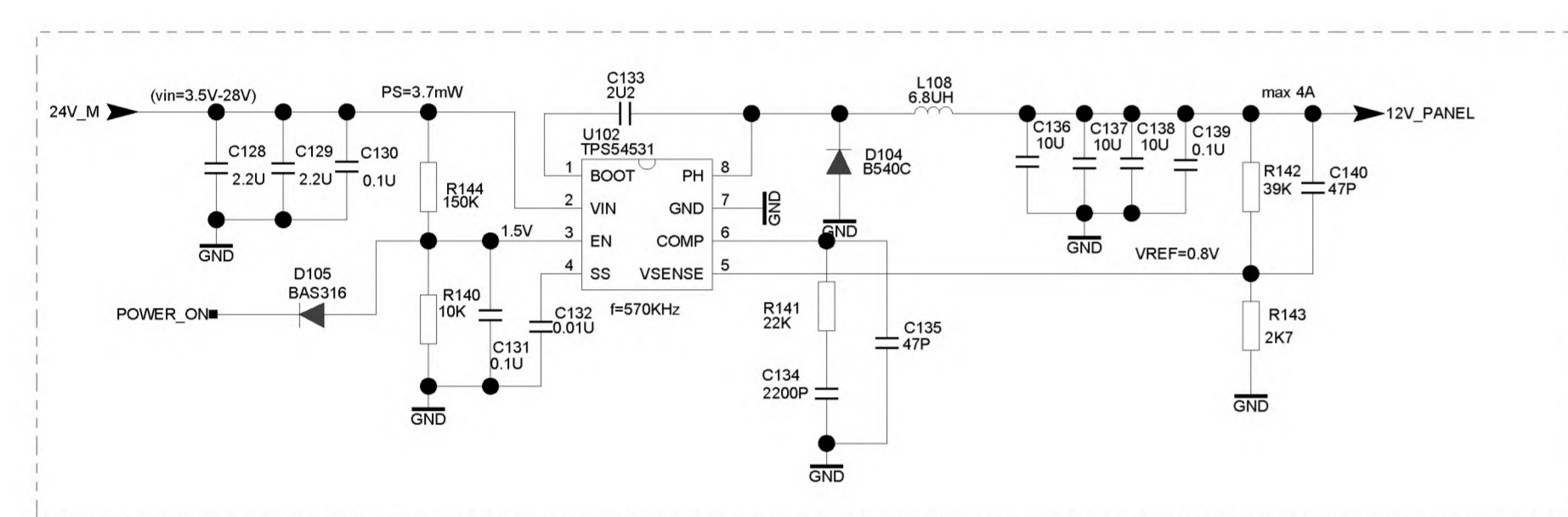
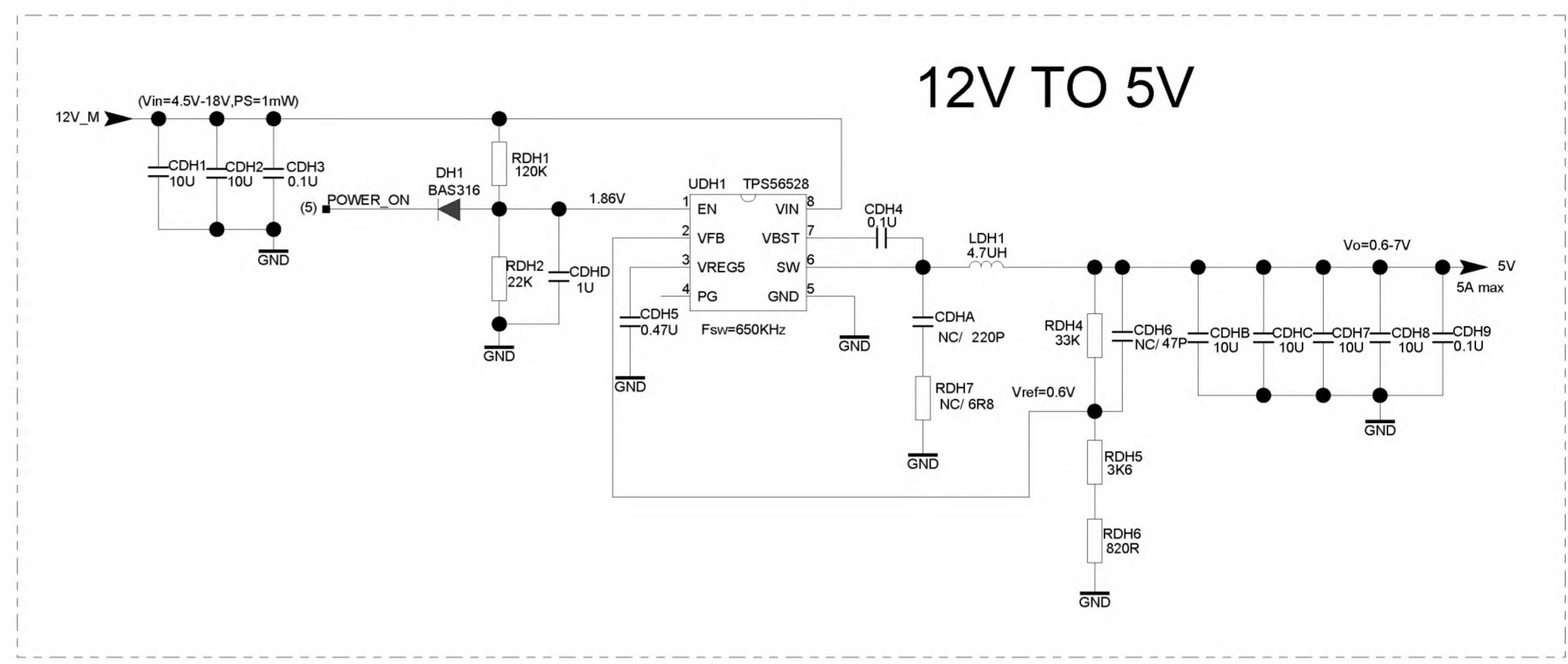
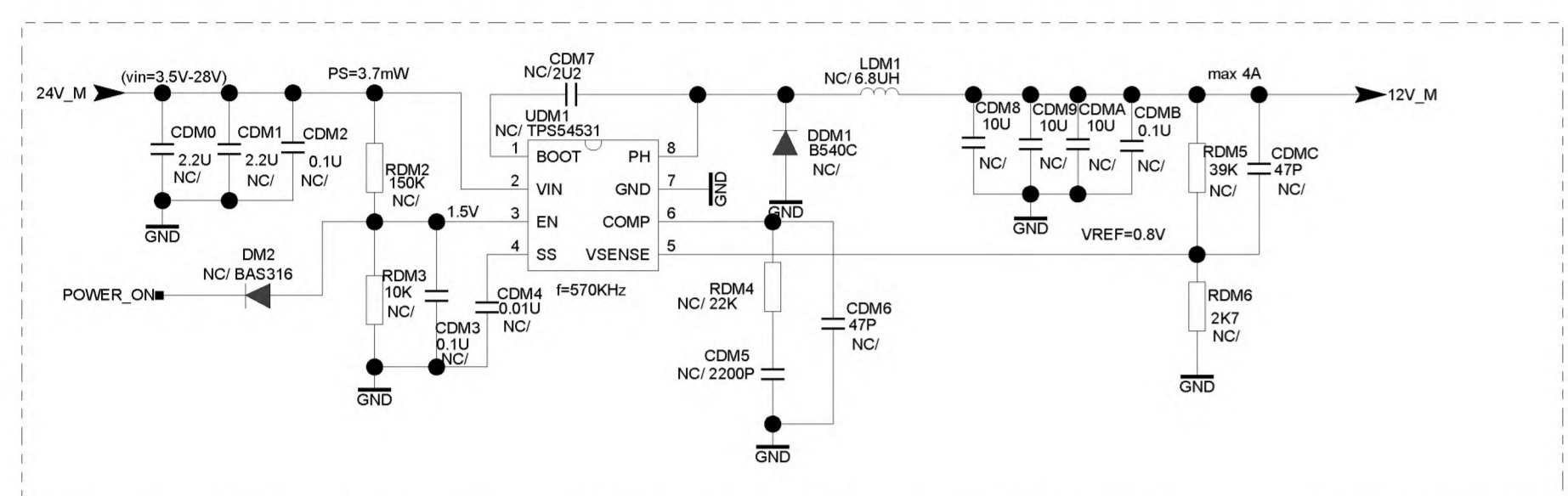
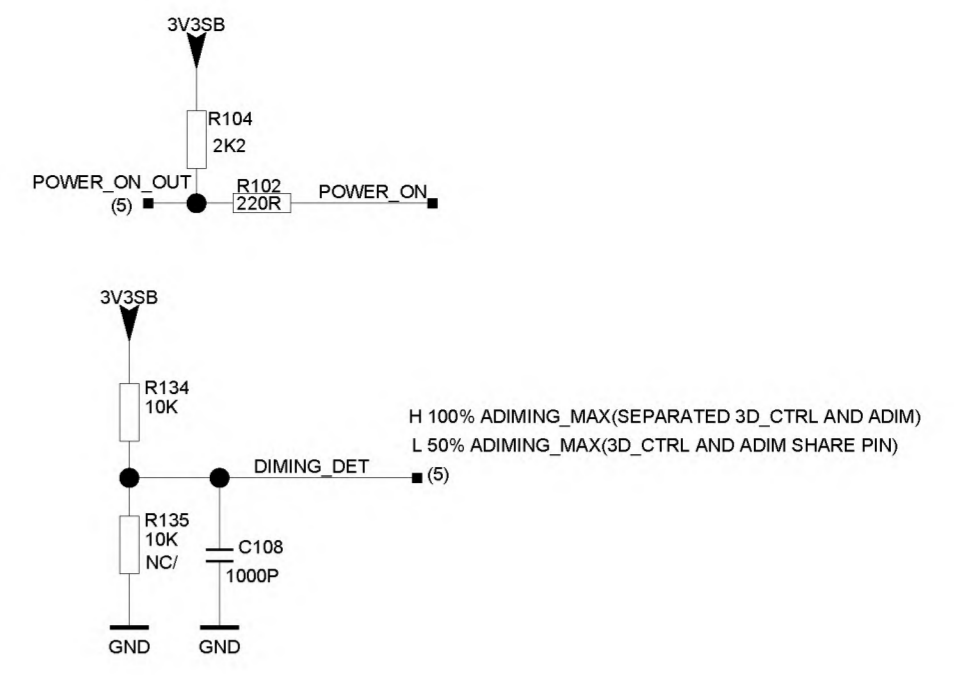
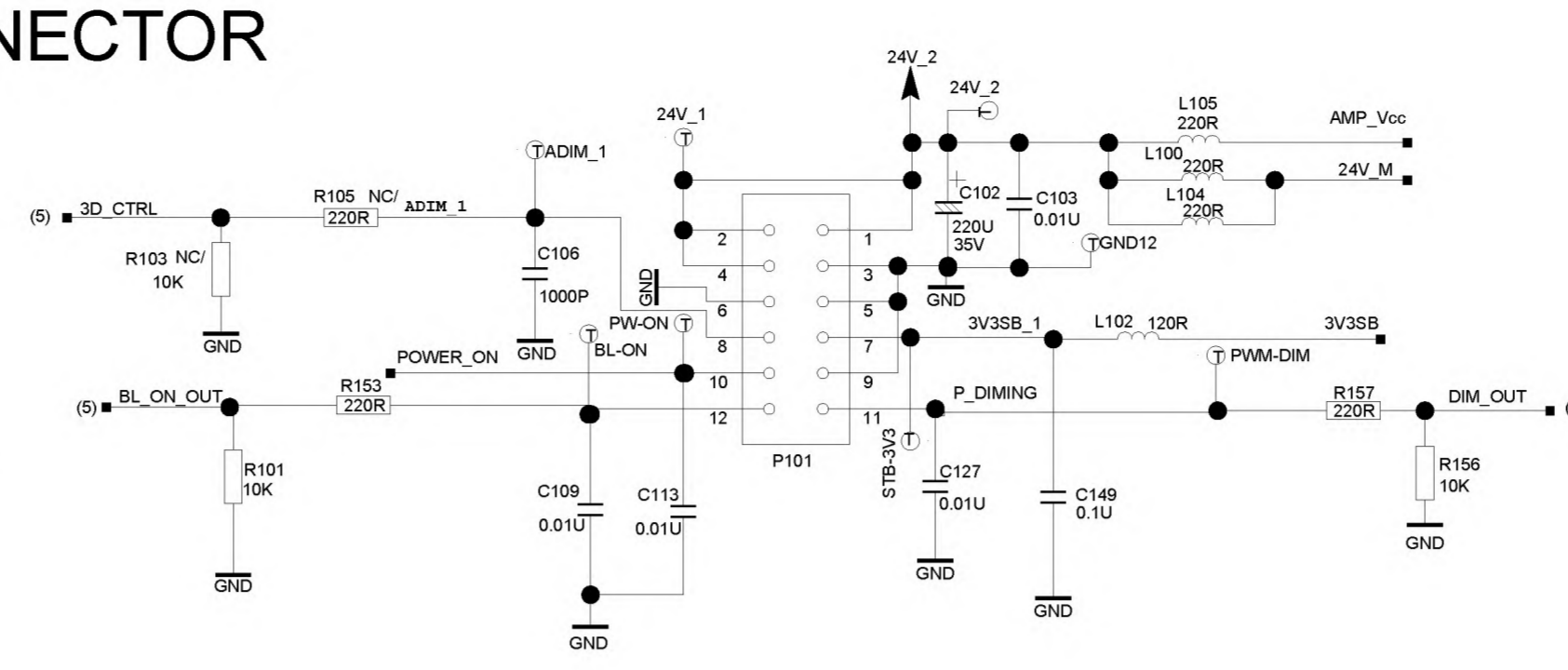
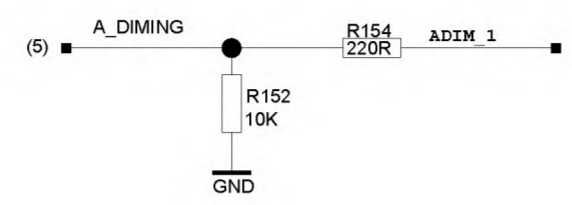
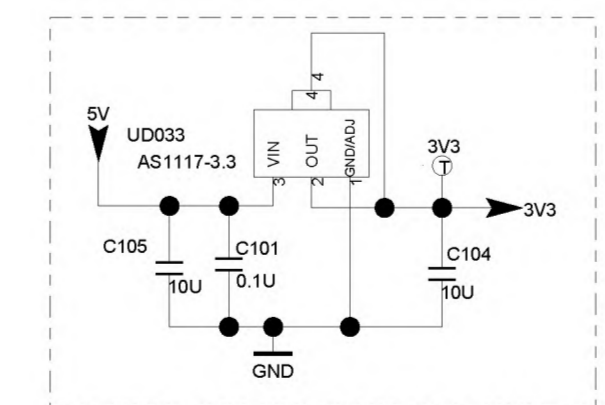
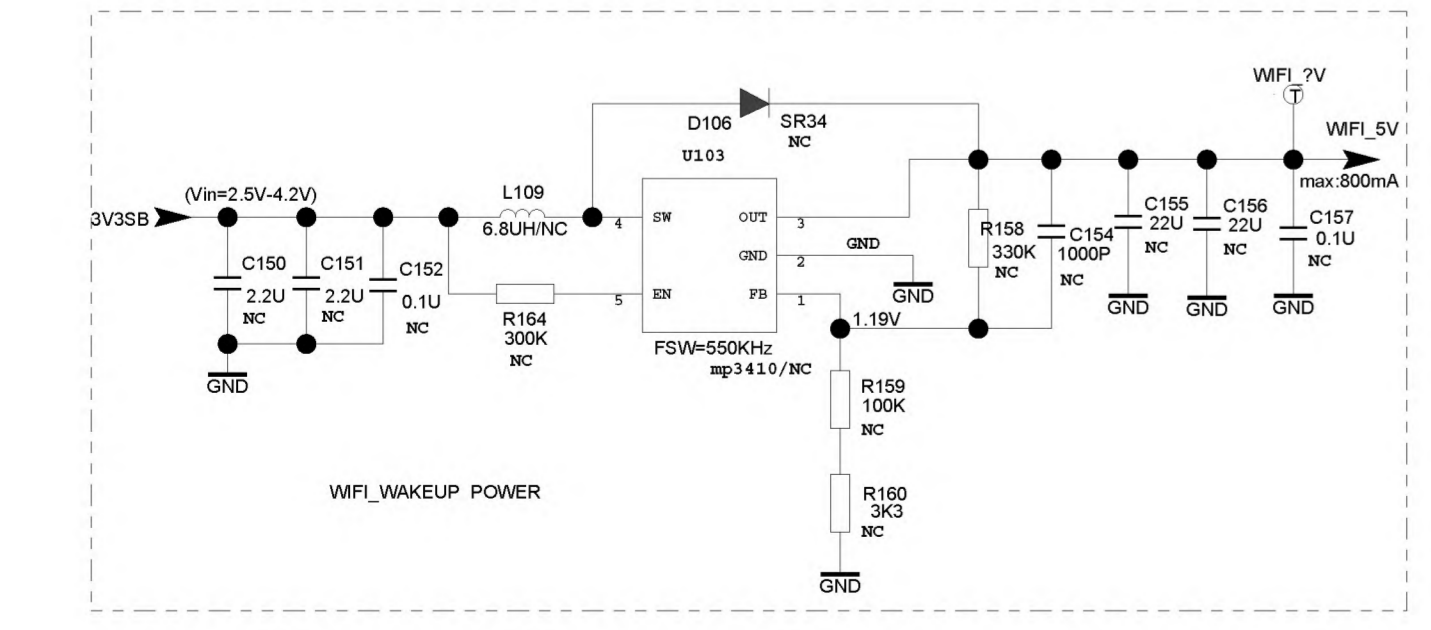


# POWER BD CONNECTOR

24V	24V
24V_A_DIM	GND
3D_CTRL	3.3VSB
POWER_ON	GND
BL_ON	DIM_PWM



GPIO_VID_0	L	H
1V2_VDDC	0.95V	1V

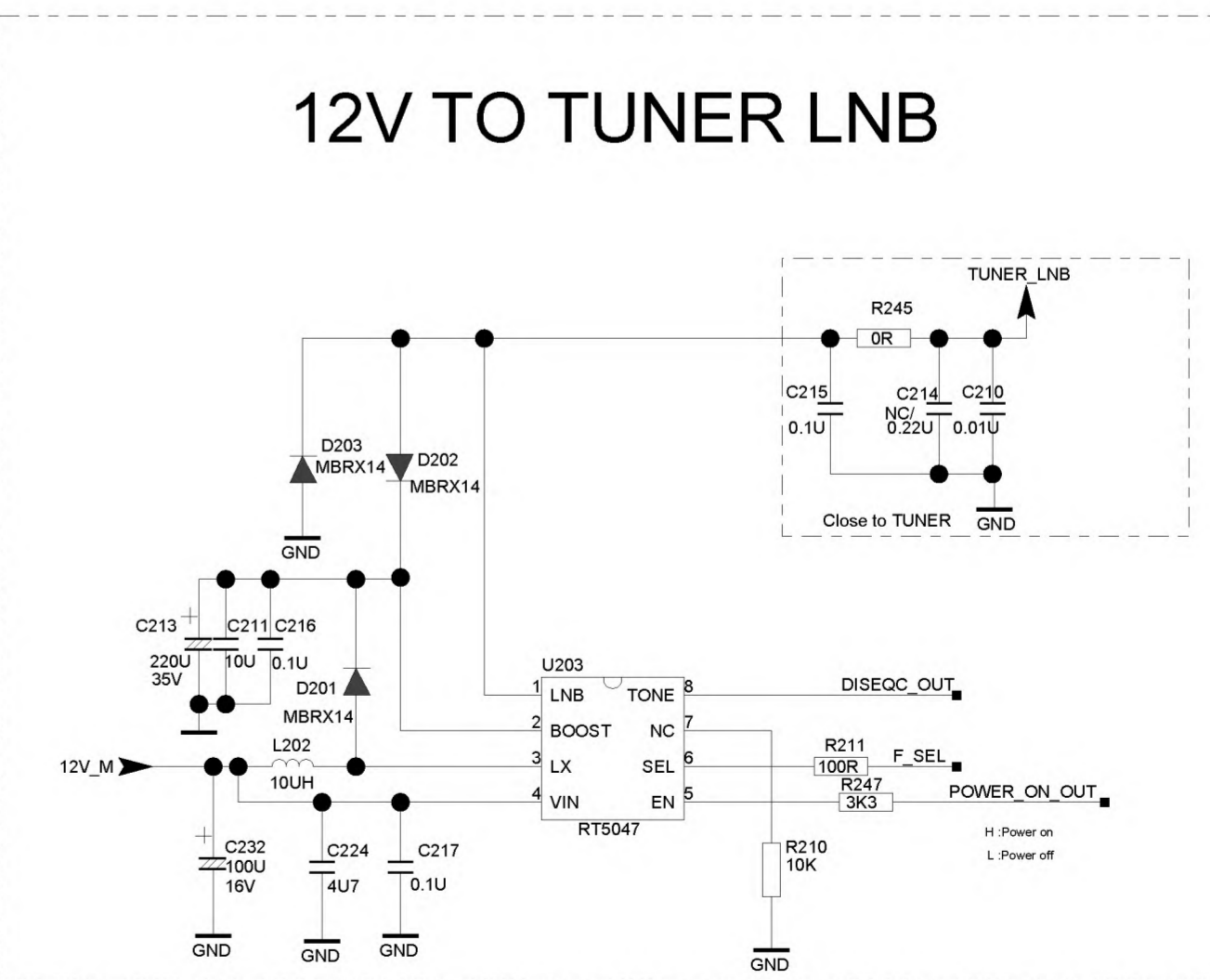
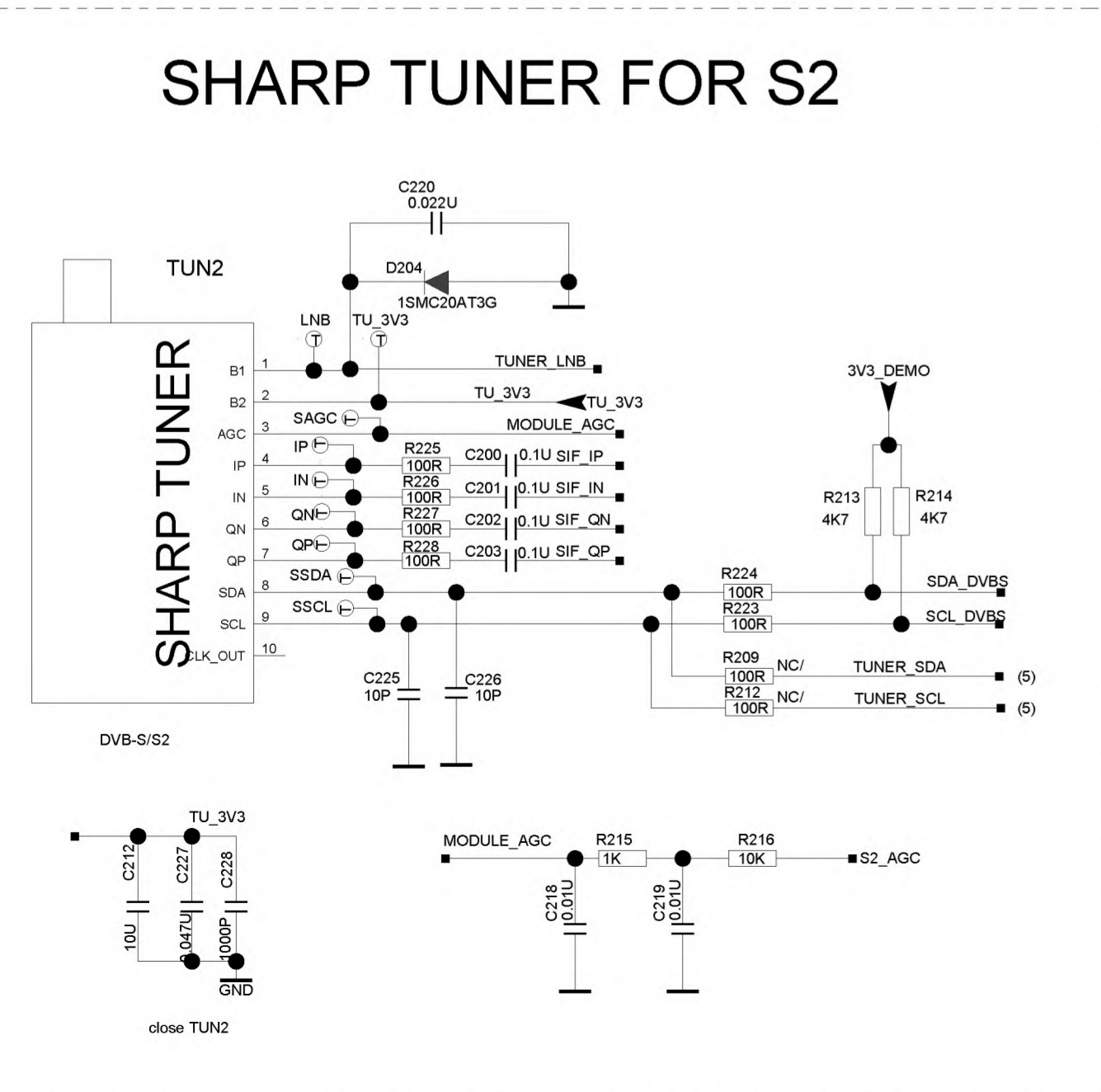
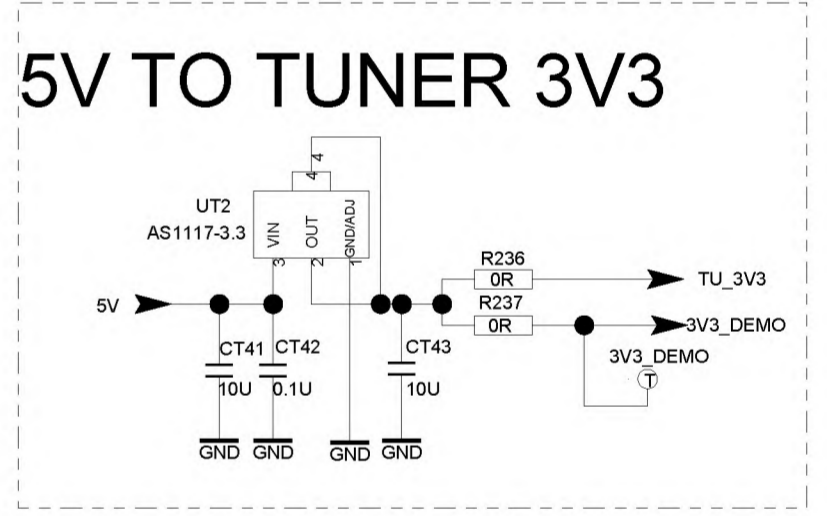
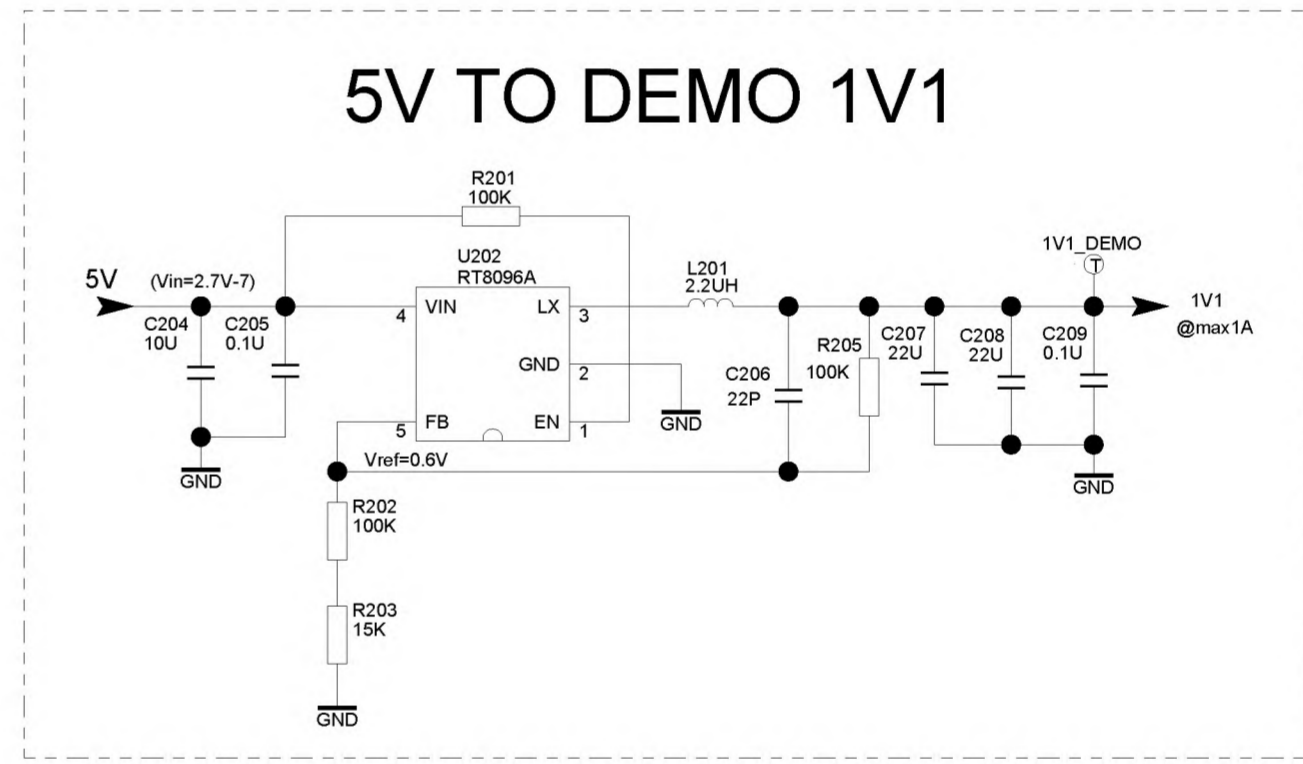
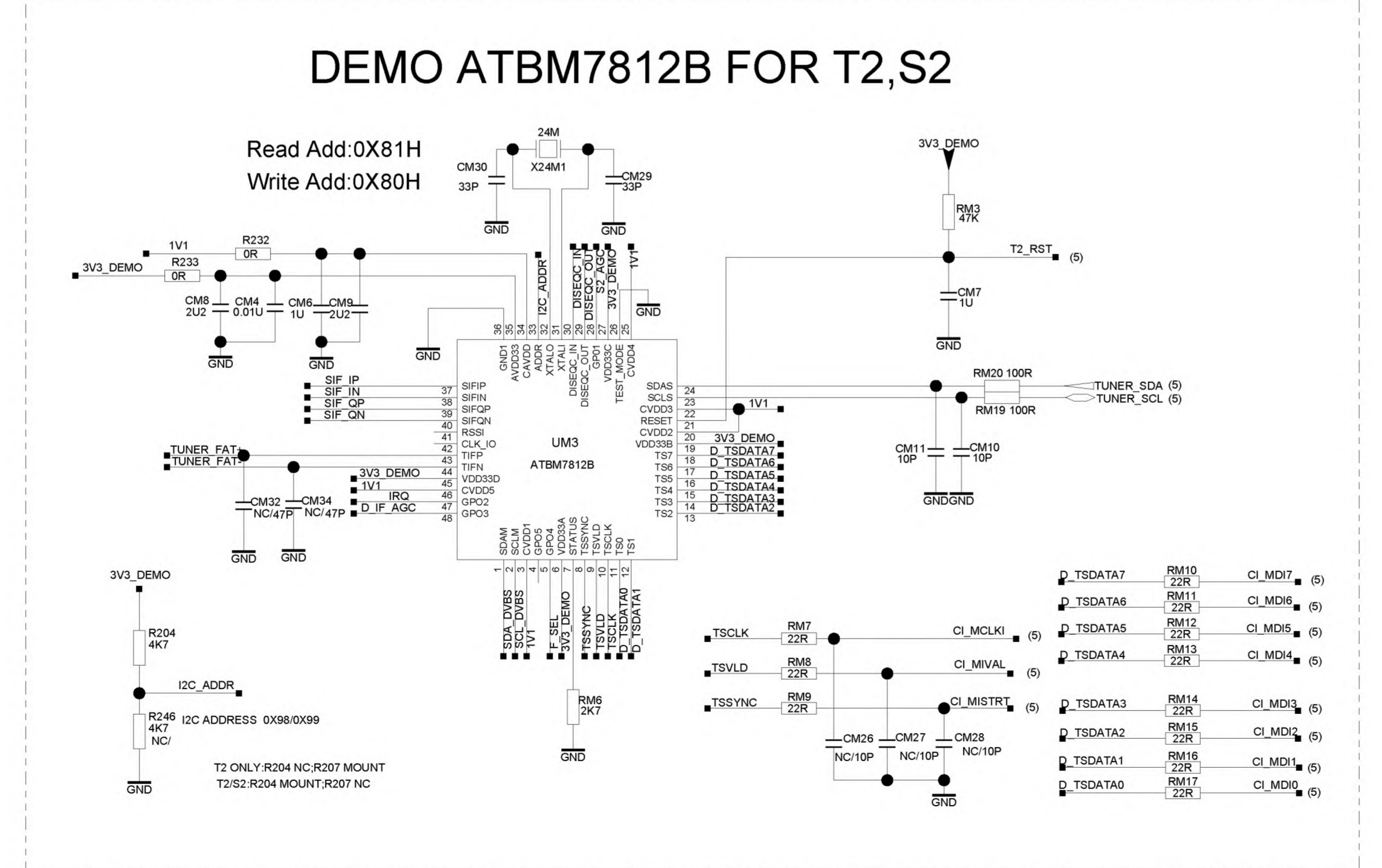
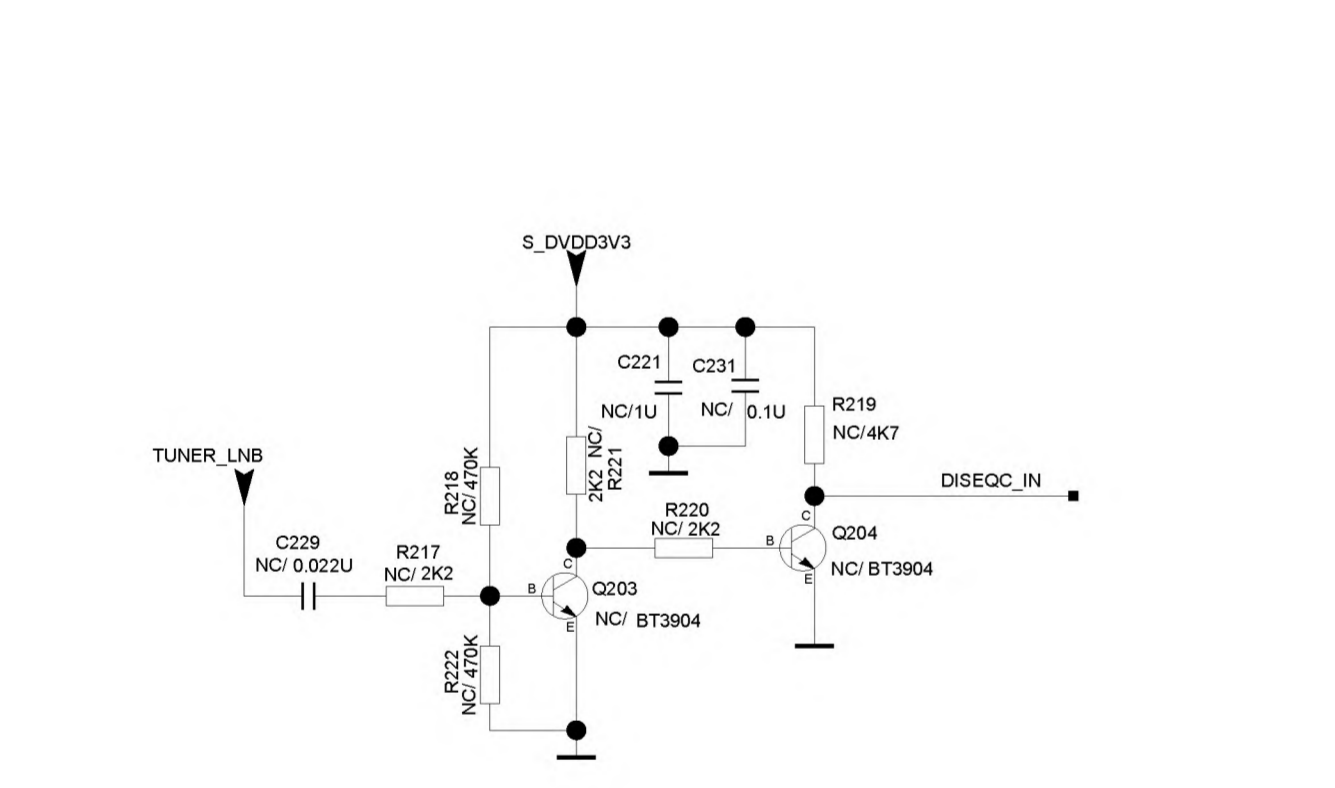
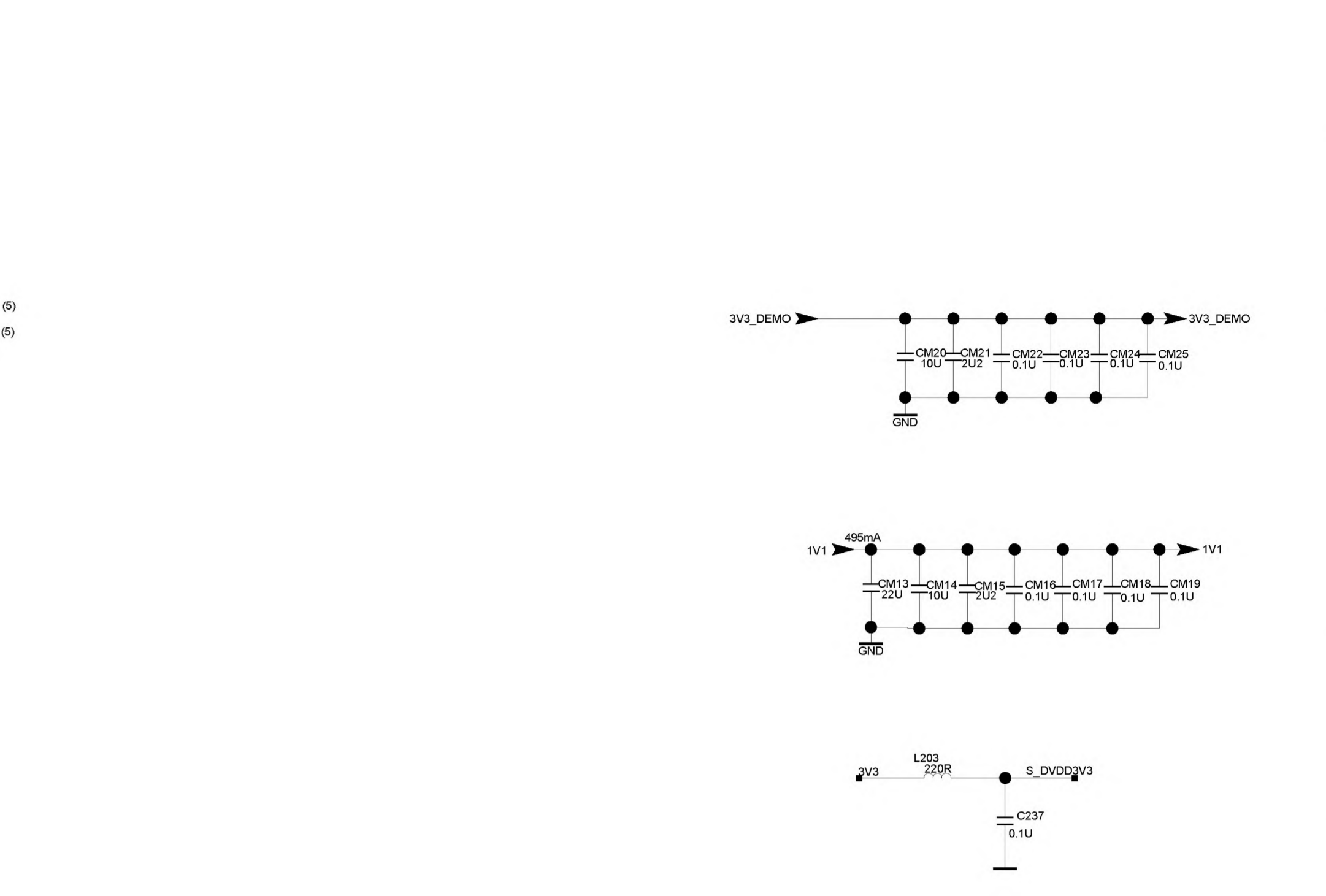
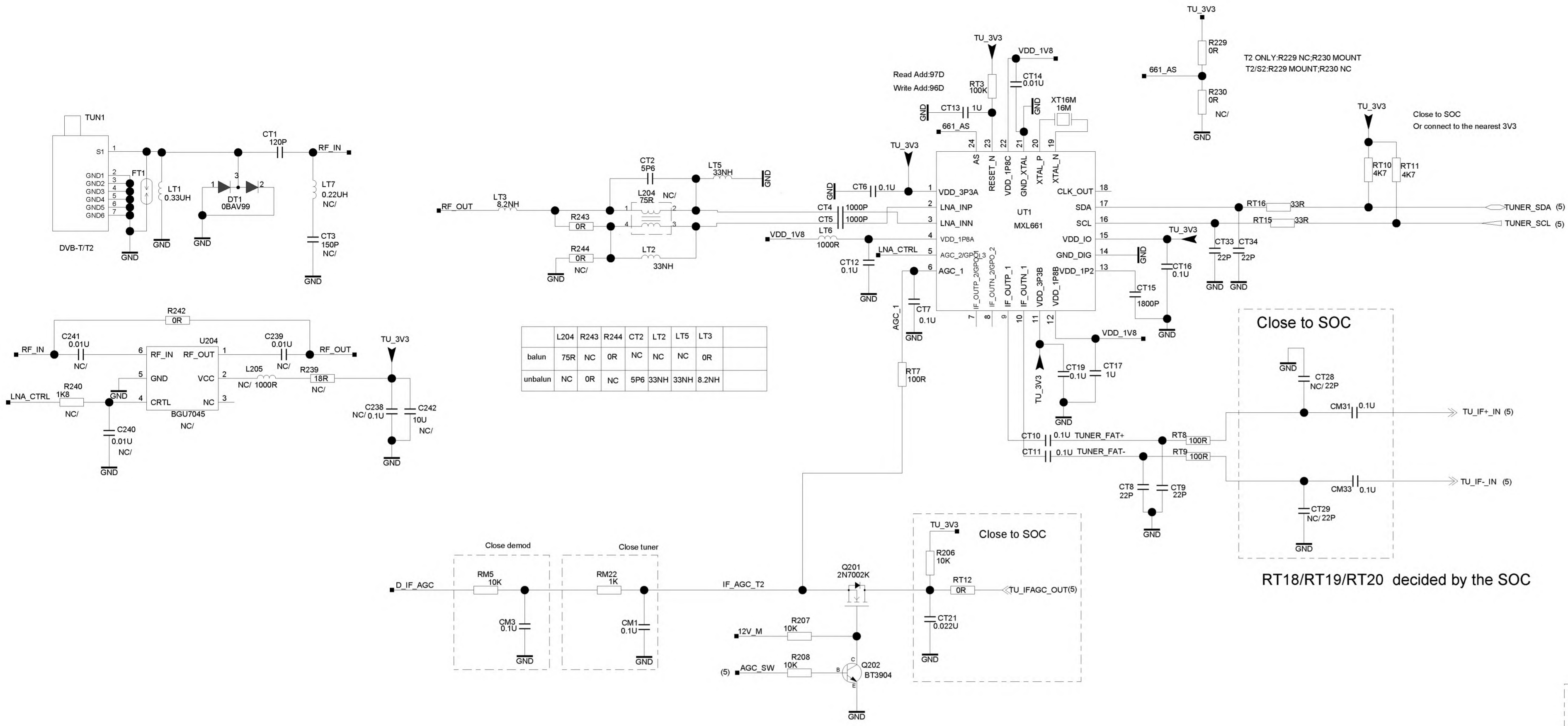


SBU :		TCLNO: .....	
DESIGNATION		DESIGNATION	
Index-Lab	DATE NAME DESCRIPTION	Last modif	
Last saved :			
DRAWN		CHECKED	
ON:	BY:	ON:	BY:
PAGE:		OF :	

**TTE**  
 TCL Thomson Electronics Singapore Pte. Ltd.  
 8 Jurong Hall Road #28-01/06  
 The JTC Summit SINGAPORE 609434  
 Tel (65) 63092900 Fax (65) 63092999

THIS DRAWING CANNOT BE COMMUNICATED TO UNAUTHORIZED PERSONS COPIED UNLESS PERMITTED IN WRITING

# MAXLINER TUNER MXL661 ON BOARD



Index-Lab	DATE	NAME	DESCRIPTION	Last modif
Last saved :				

SBU :  
TCLNO: .....

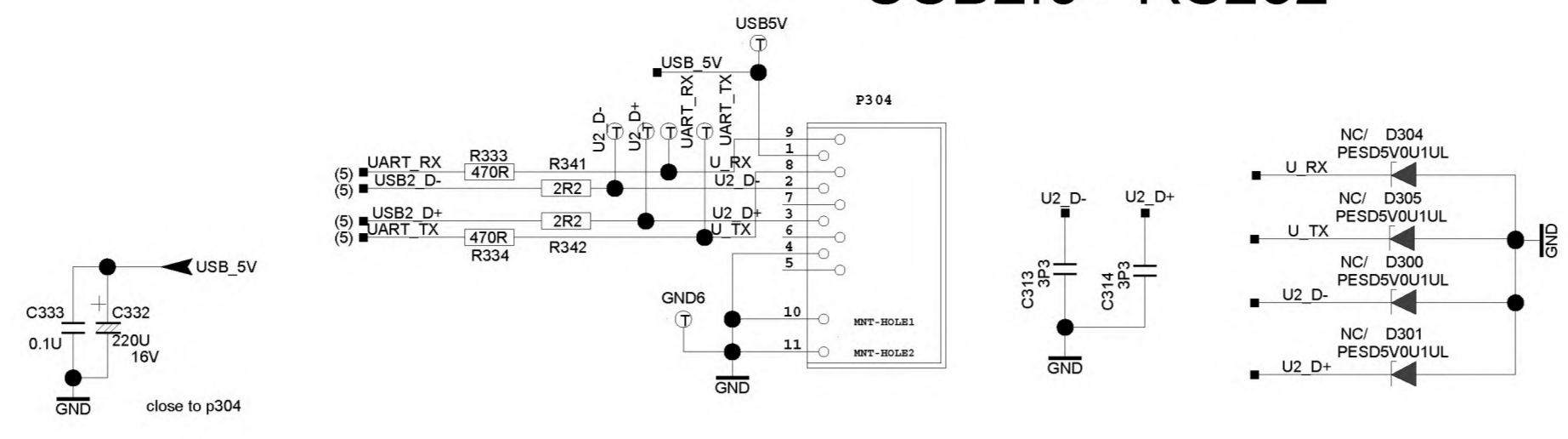
DESIGNATION  
DESIGNATION

**TTE**  
TCL Thomson Electronics Singapore Pte. Ltd.  
8 Jurong Hall Road #28-01/06  
The JTC Summit SINGAPORE 609434  
Tel (65) 63092900 Fax (65) 63092999

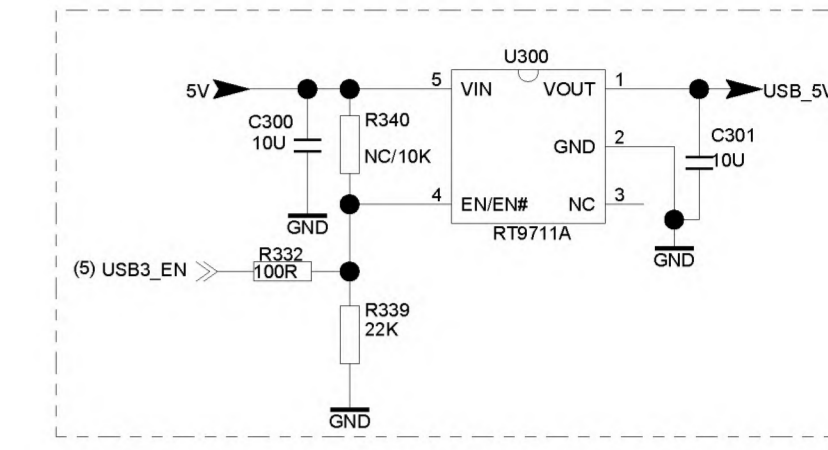
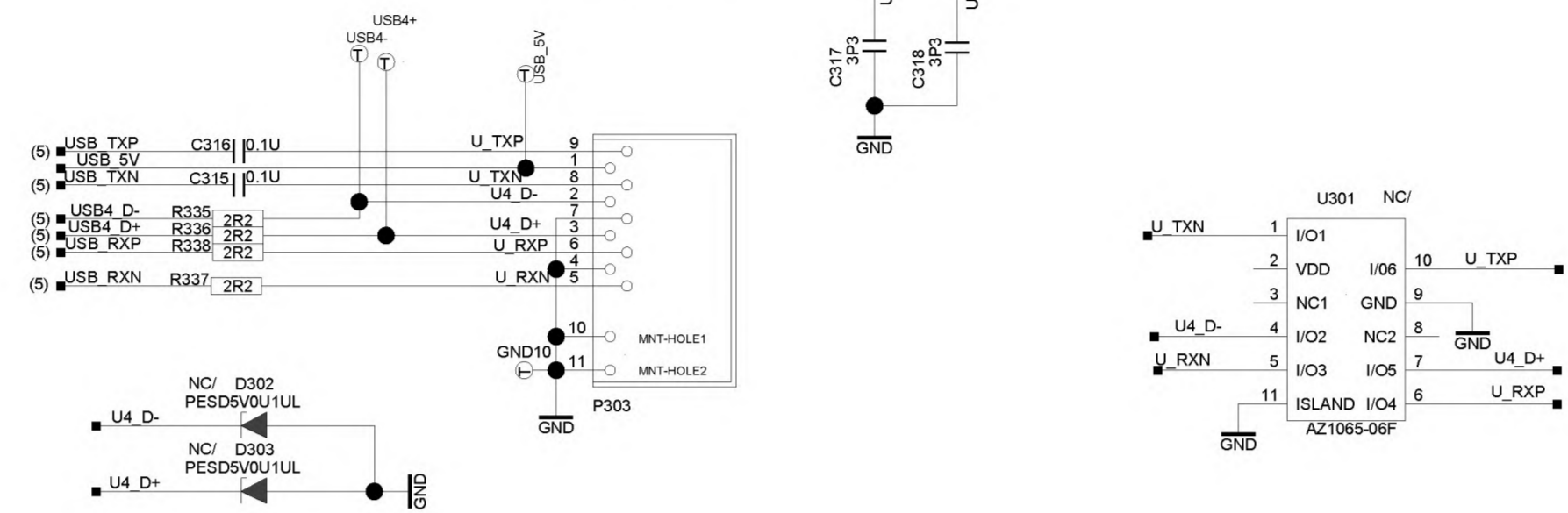
DRAWN ON: BY:  
CHECKED ON: BY:  
PAGE: OF :

THIS DRAWING CANNOT BE COMMUNICATED TO UNAUTHORIZED PERSONS COPIED UNLESS PERMITTED IN WRITING

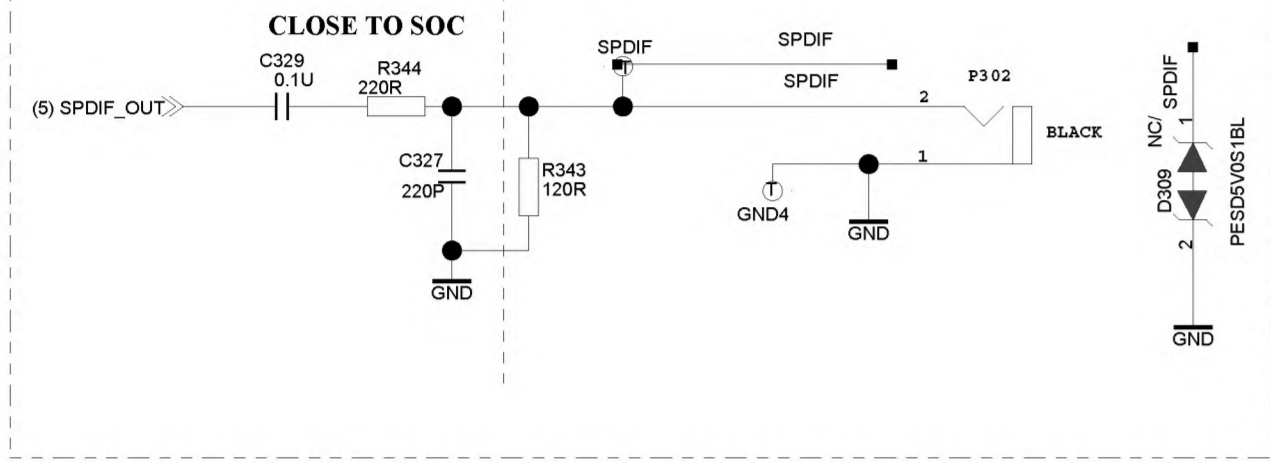
### USB2.0+ RS232



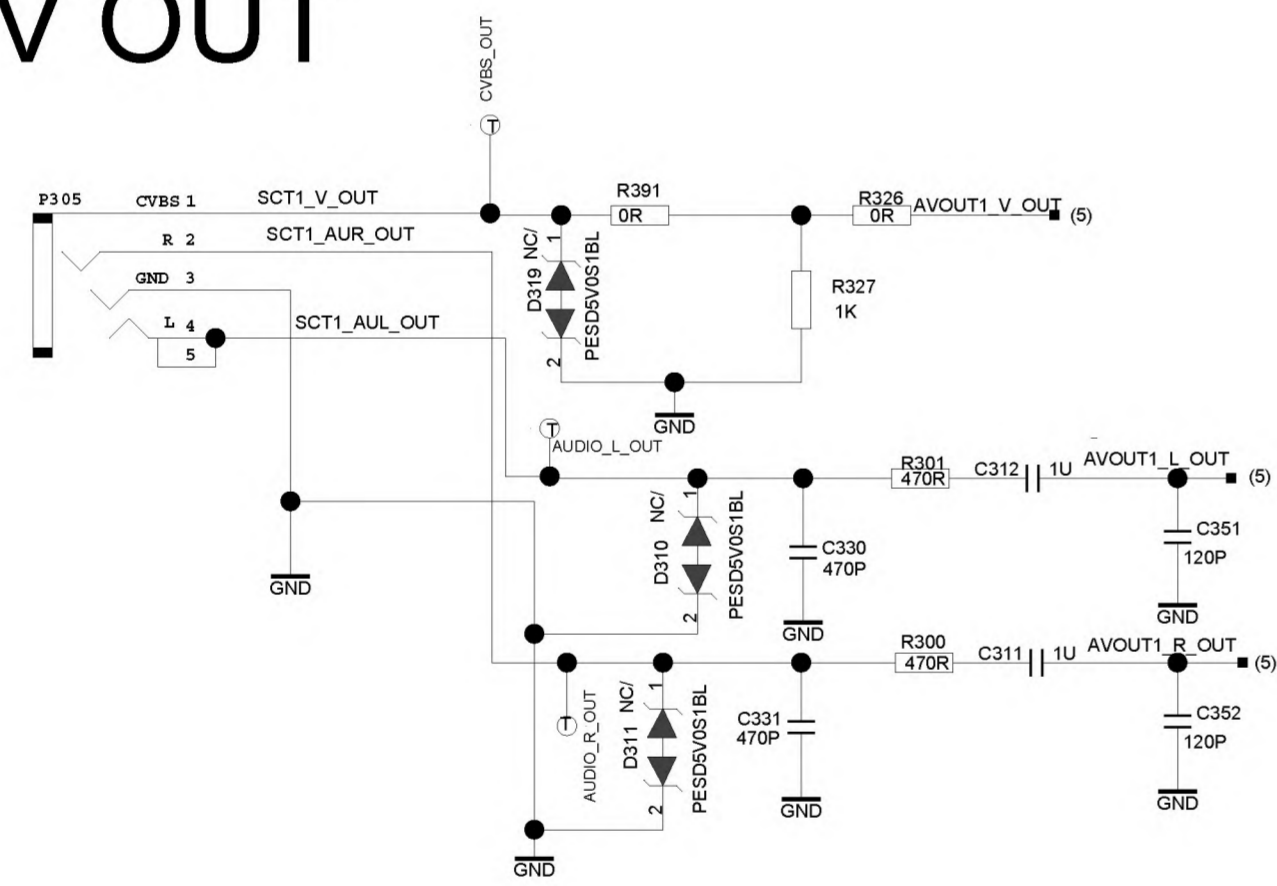
### USB3.0



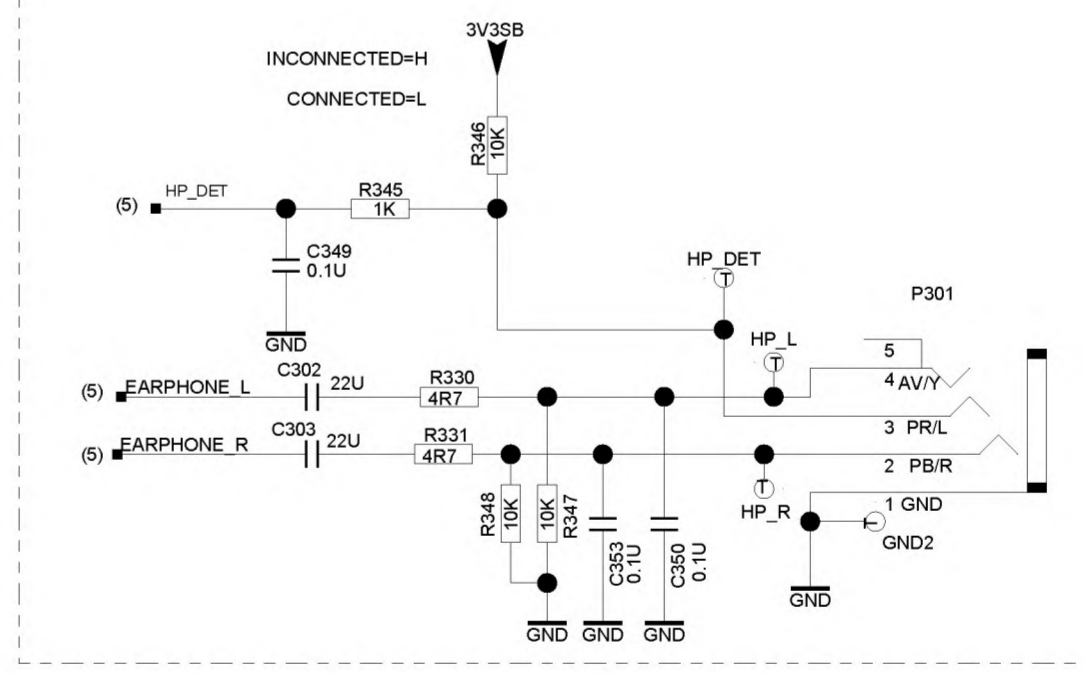
### SPDIF



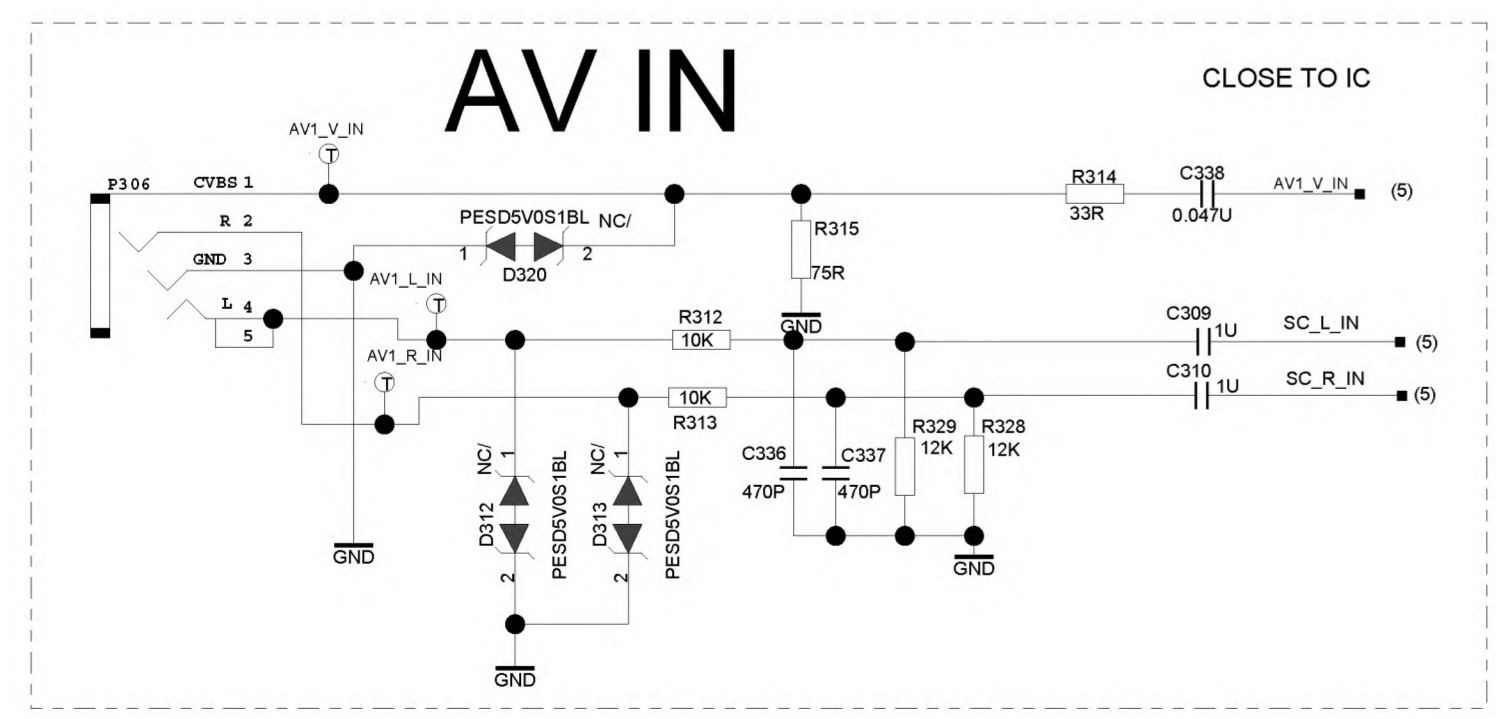
### AV OUT



### headphone out



### AV IN



						SBU :
						TCLNO: .....
						DESIGNATION
						DESIGNATION
Index-Lab	DATE	NAME	DESCRIPTION	Last modif		
Last saved :						

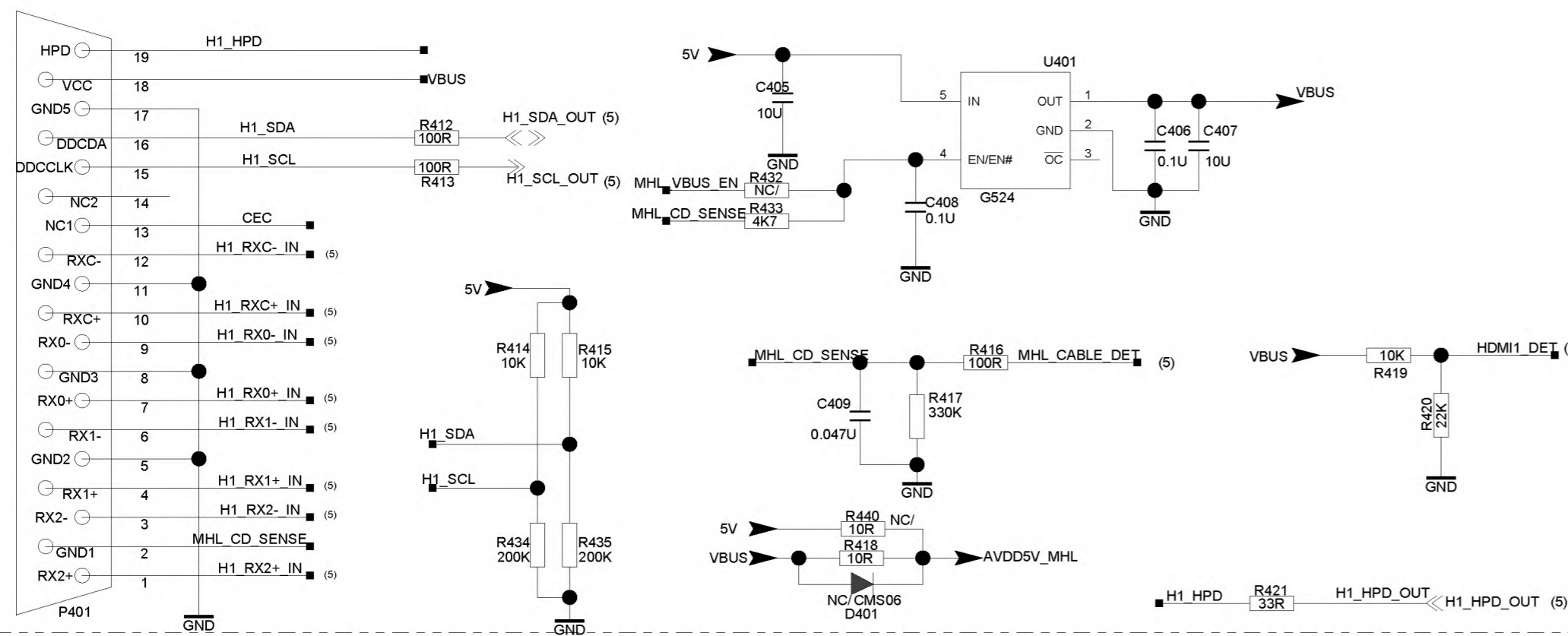
**TTE**

TCL Thomson Electronics Singapore Pte. Ltd.  
8 Jurong Hall Road #28-01/06  
The JTC Summit SINGAPORE 609434  
Tel (65) 63092900 Fax (65) 63092999

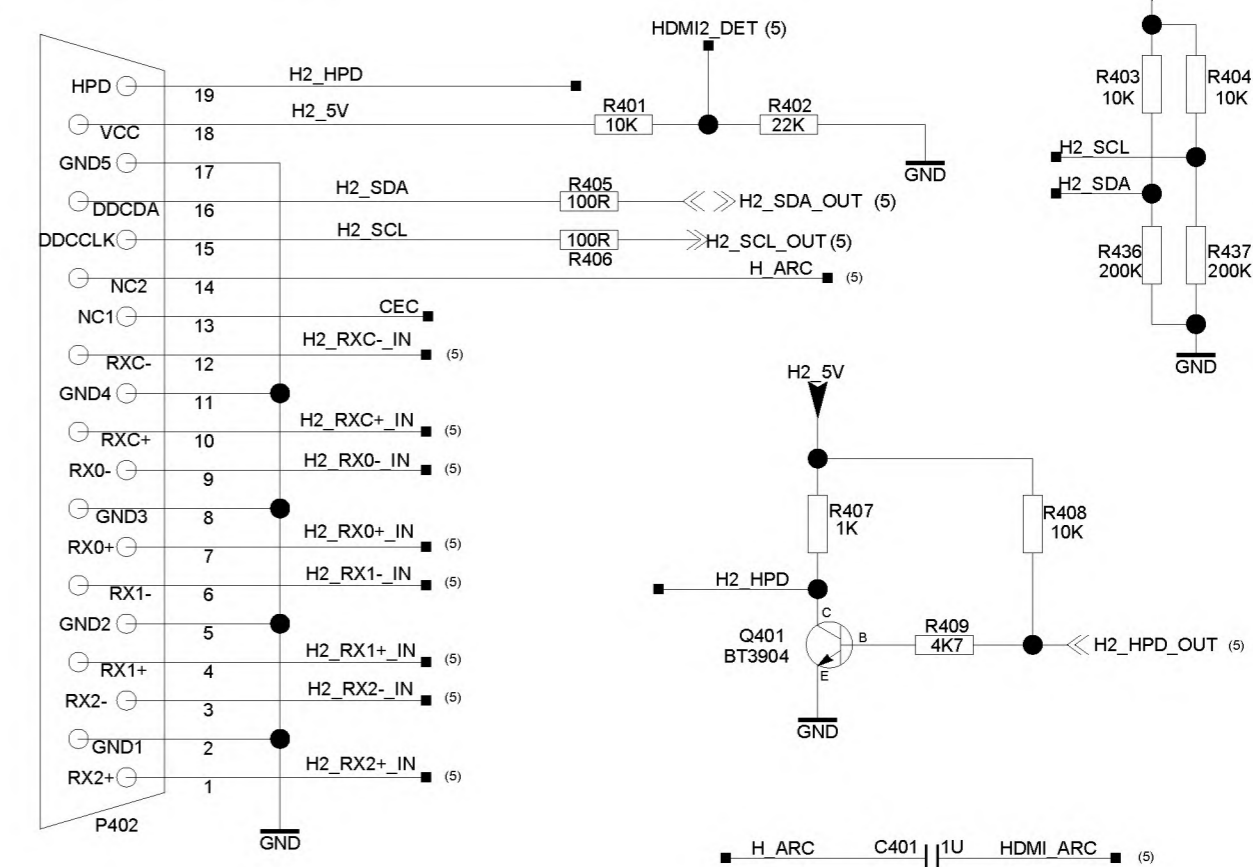
DRAWN	CHECKED	PAGE:
ON:	ON:	OF :
BY:	BY:	

THIS DRAWING CANNOT BE COMMUNICATED TO UNAUTHORIZED PERSONS COPIED UNLESS PERMITTED IN WRITING

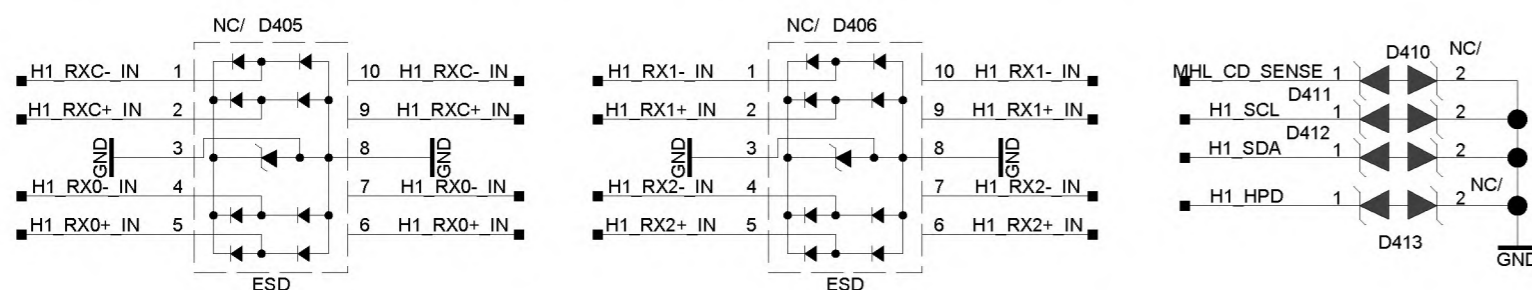
# HDMI 1



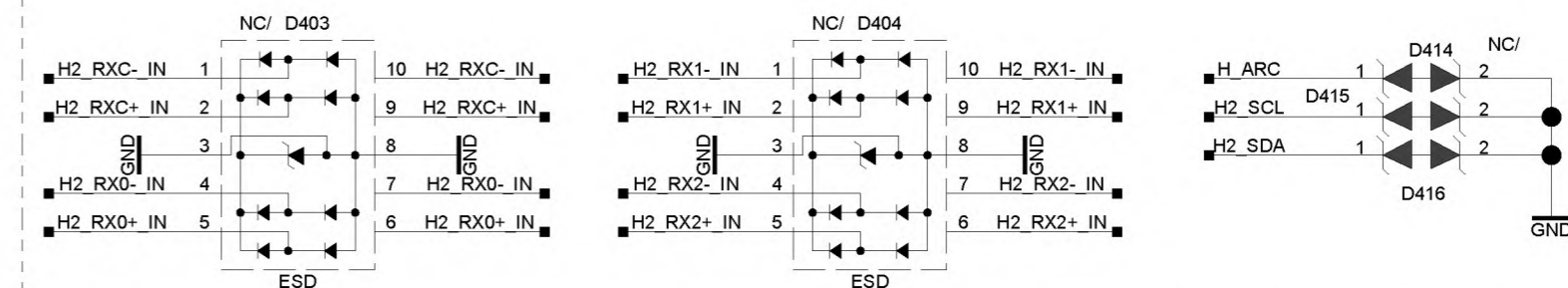
# HDMI 2



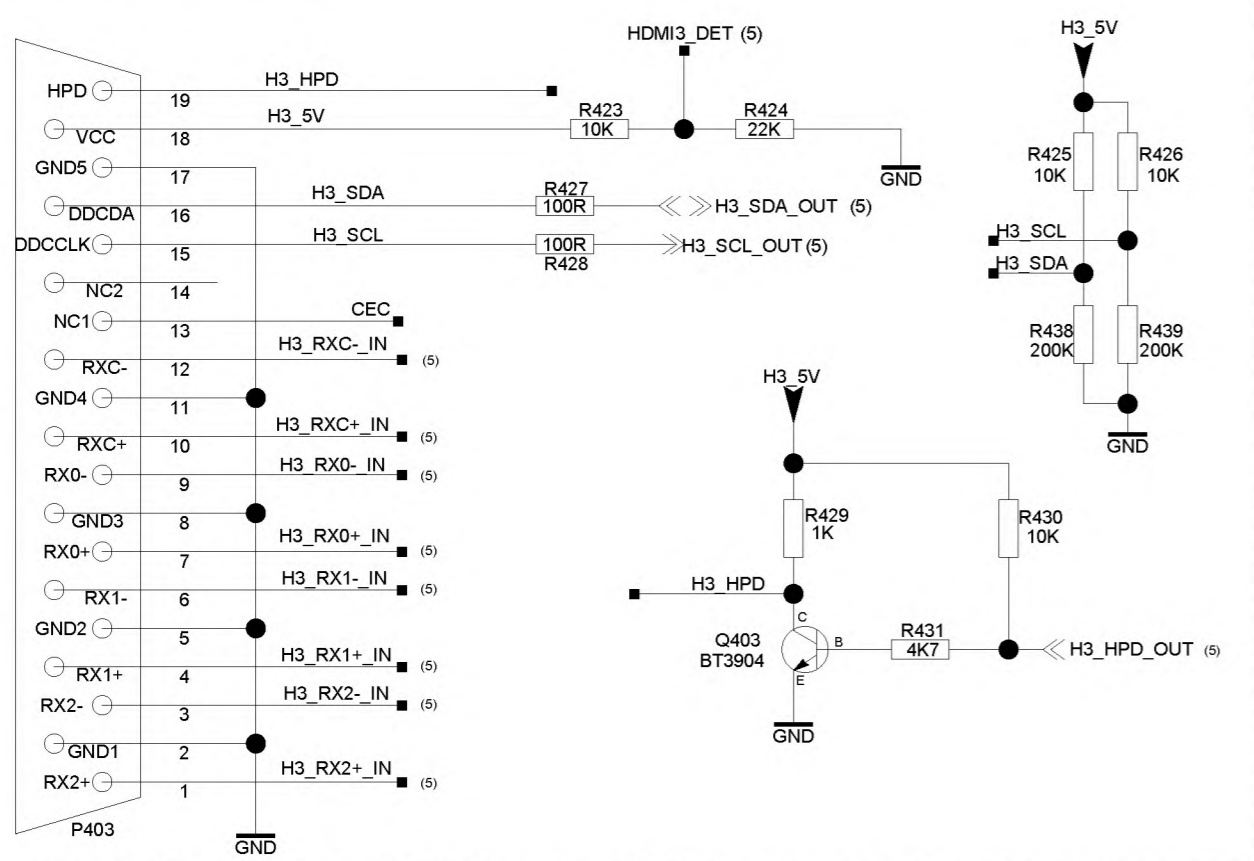
# HDMI ESD Protection



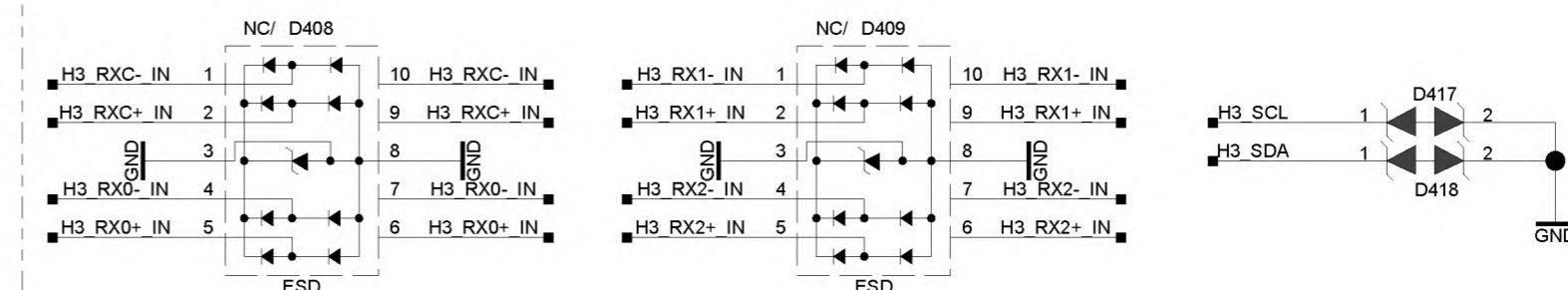
# HDMI ESD Protection



# HDMI 3



# HDMI ESD Protection



...	DD-MM	...	...	...	SBU :
...	DD-MM	...	...	...	TCLNO:
...	DD-MM	...	...	...	DESIGNATION
...	DD-MM	...	...	...	.....
Index-Lab	DATE	NAME	DESCRIPTION	Last modif	
Last saved : 04/02/2016:15:02					

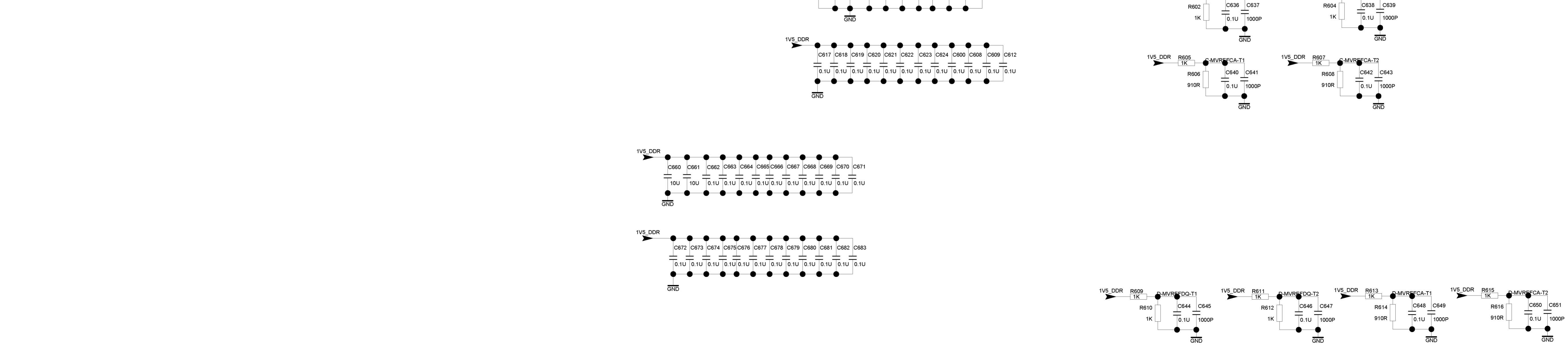
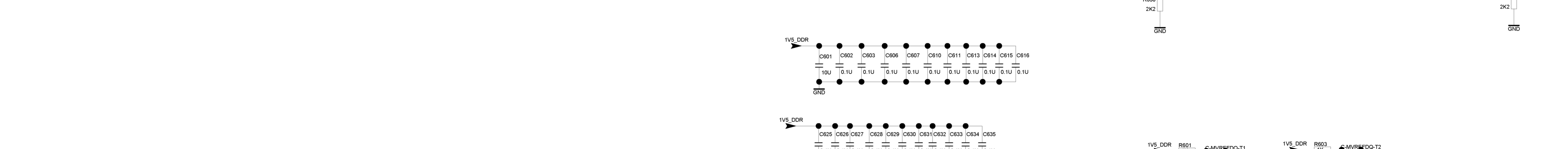
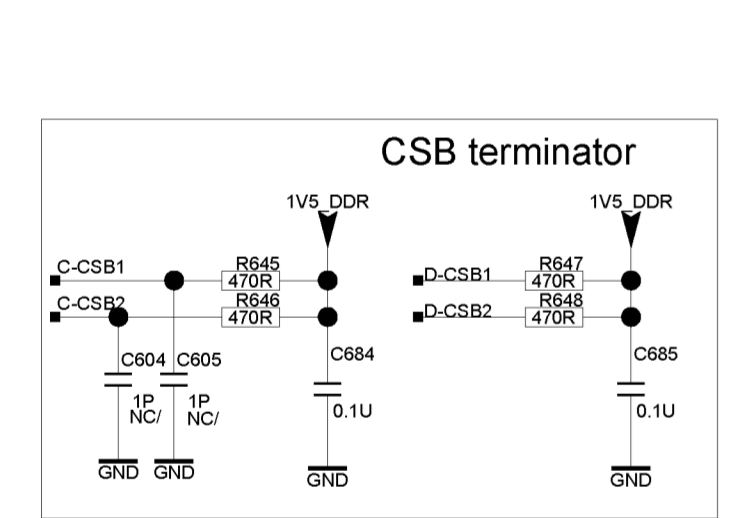
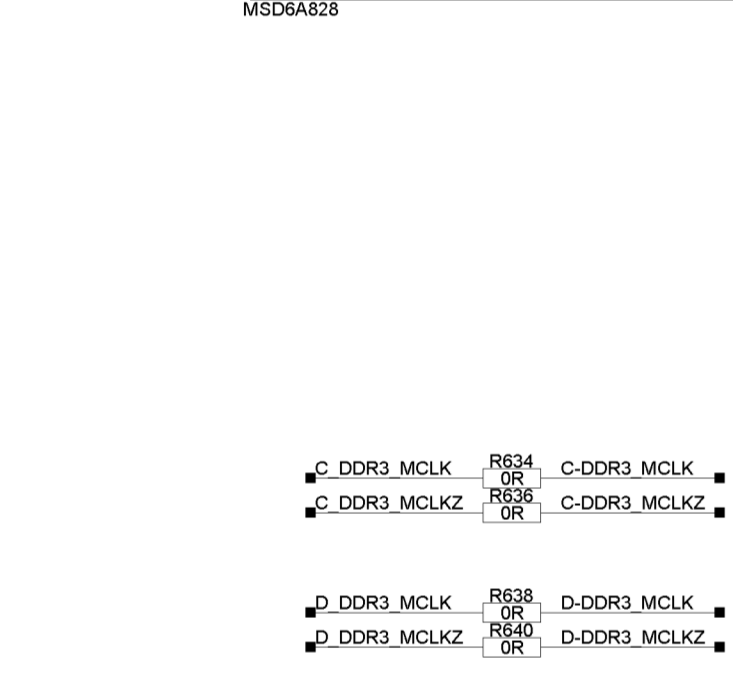
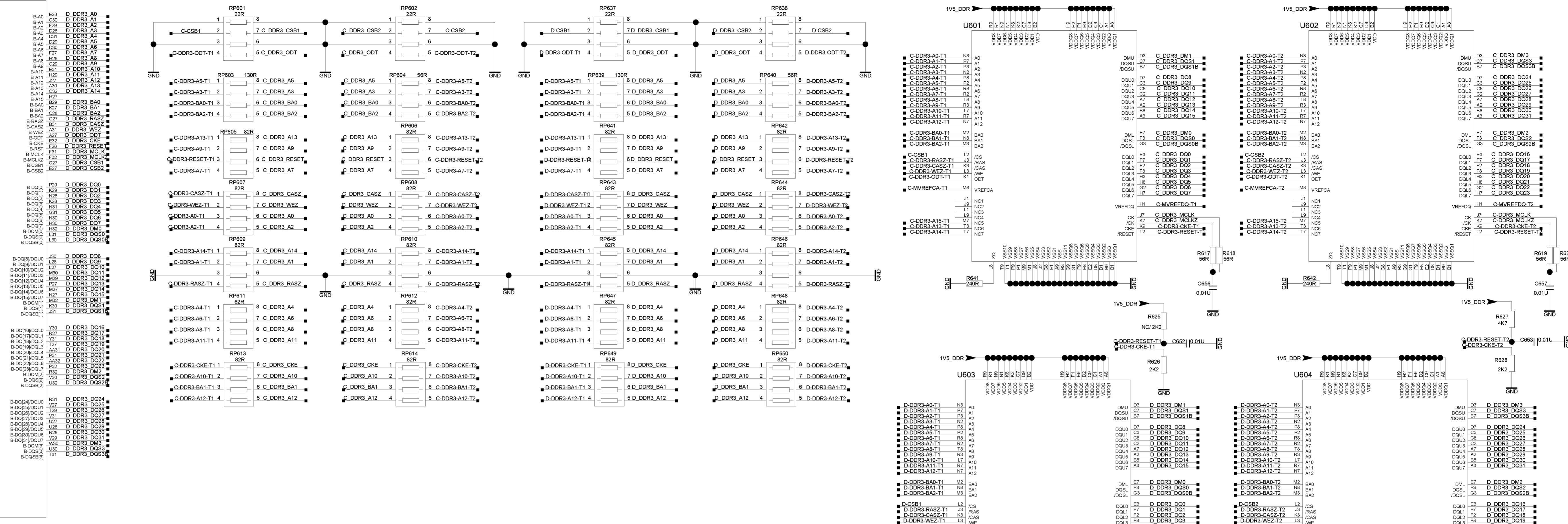
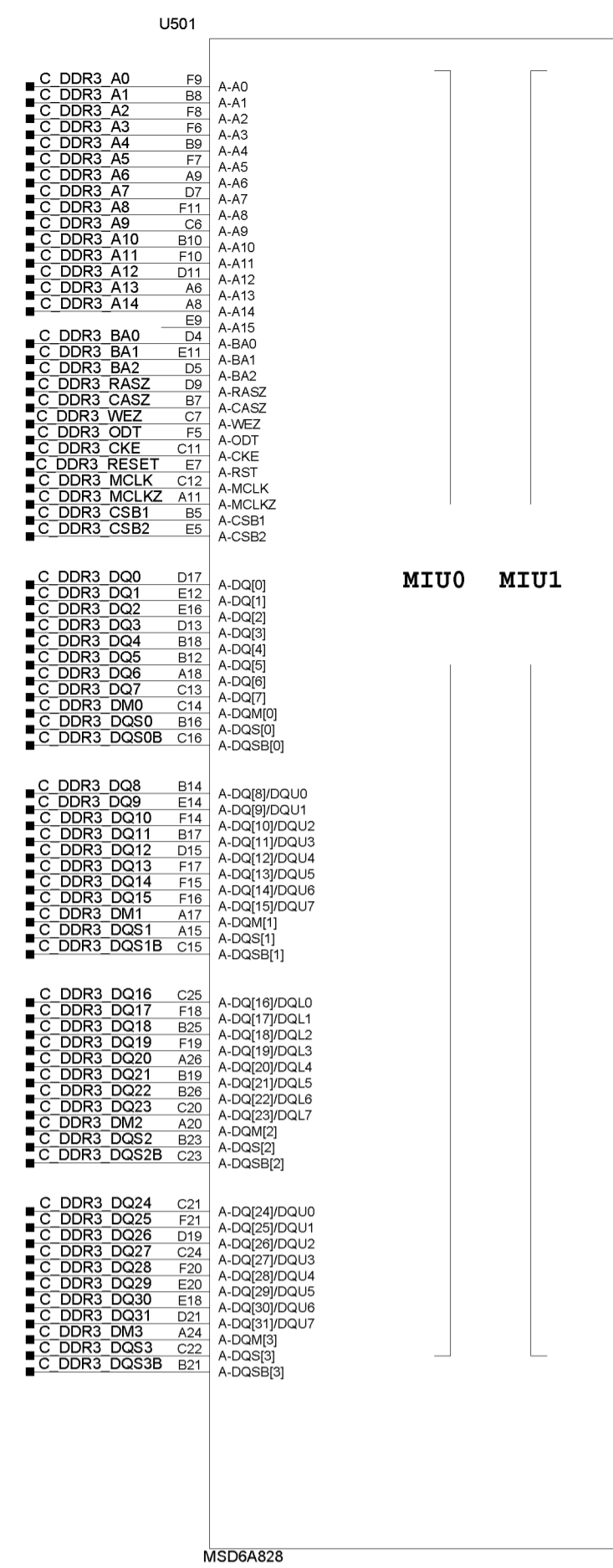
**TCL**

ADDRESS1  
ADDRESS2  
ADDRESS3  
TELEPHONE

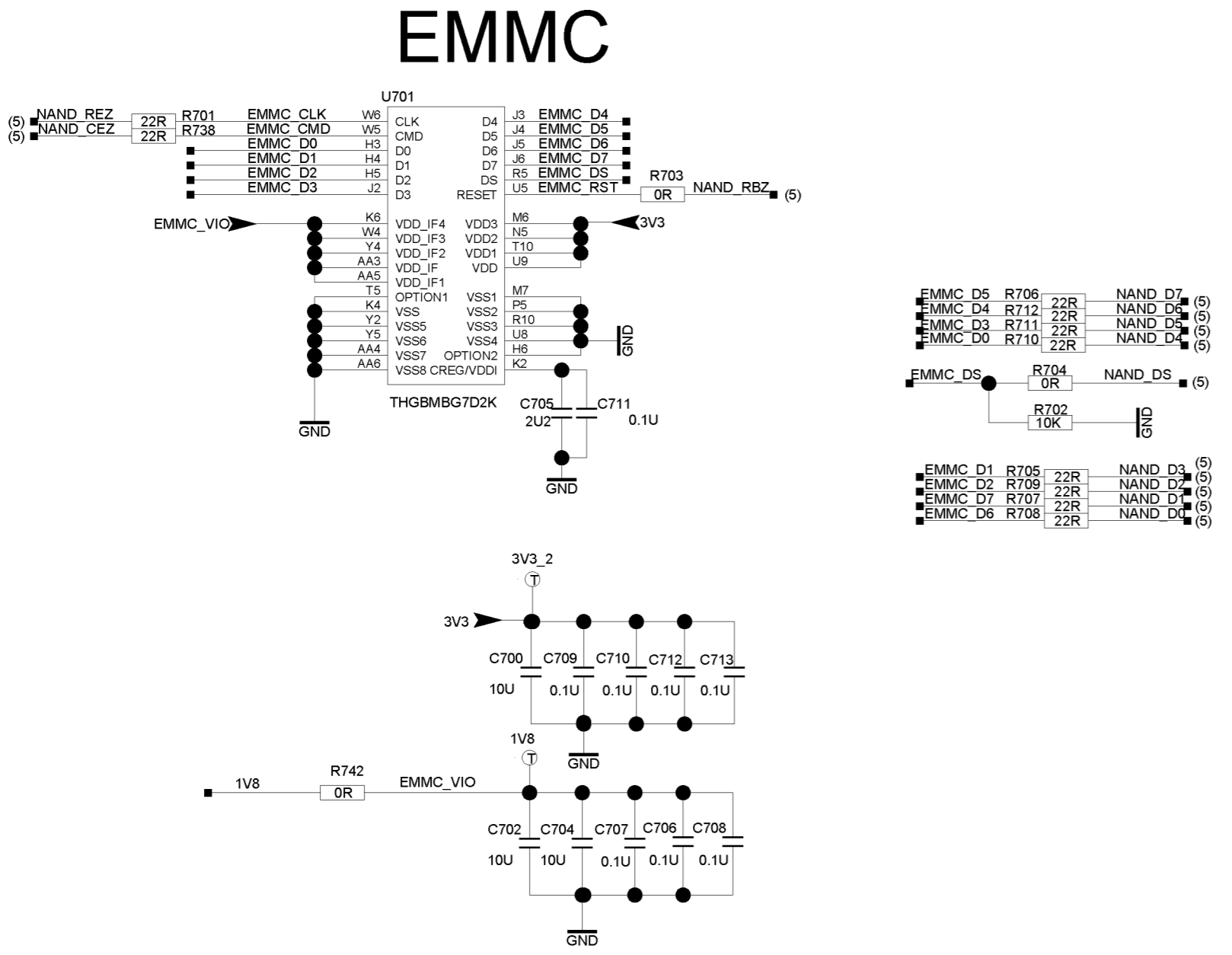
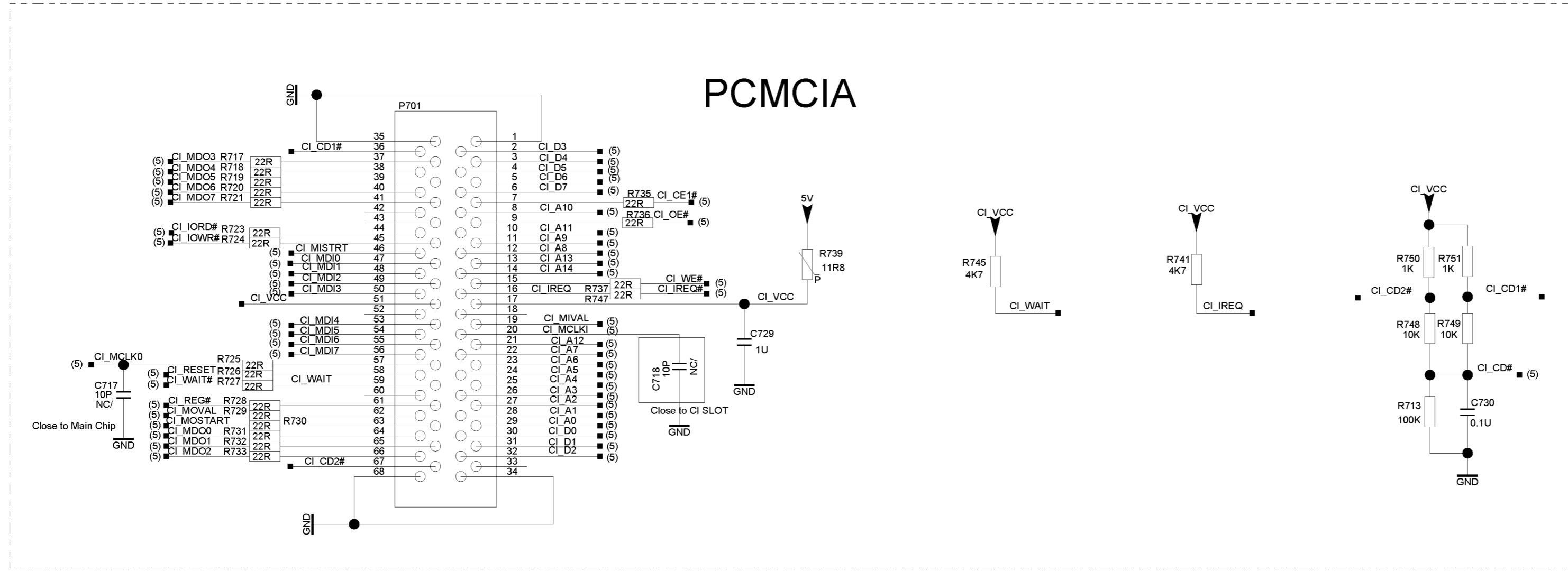
DRAWN  
ON: BY:  
CHECKED  
ON: DD-MM-YY BY: .....  
PAGE:  
OF :

THIS DRAWING CANNOT BE COMMUNICATED TO UNAUTHORIZED PERSONS COPIED UNLESS PERMITTED IN WRITING



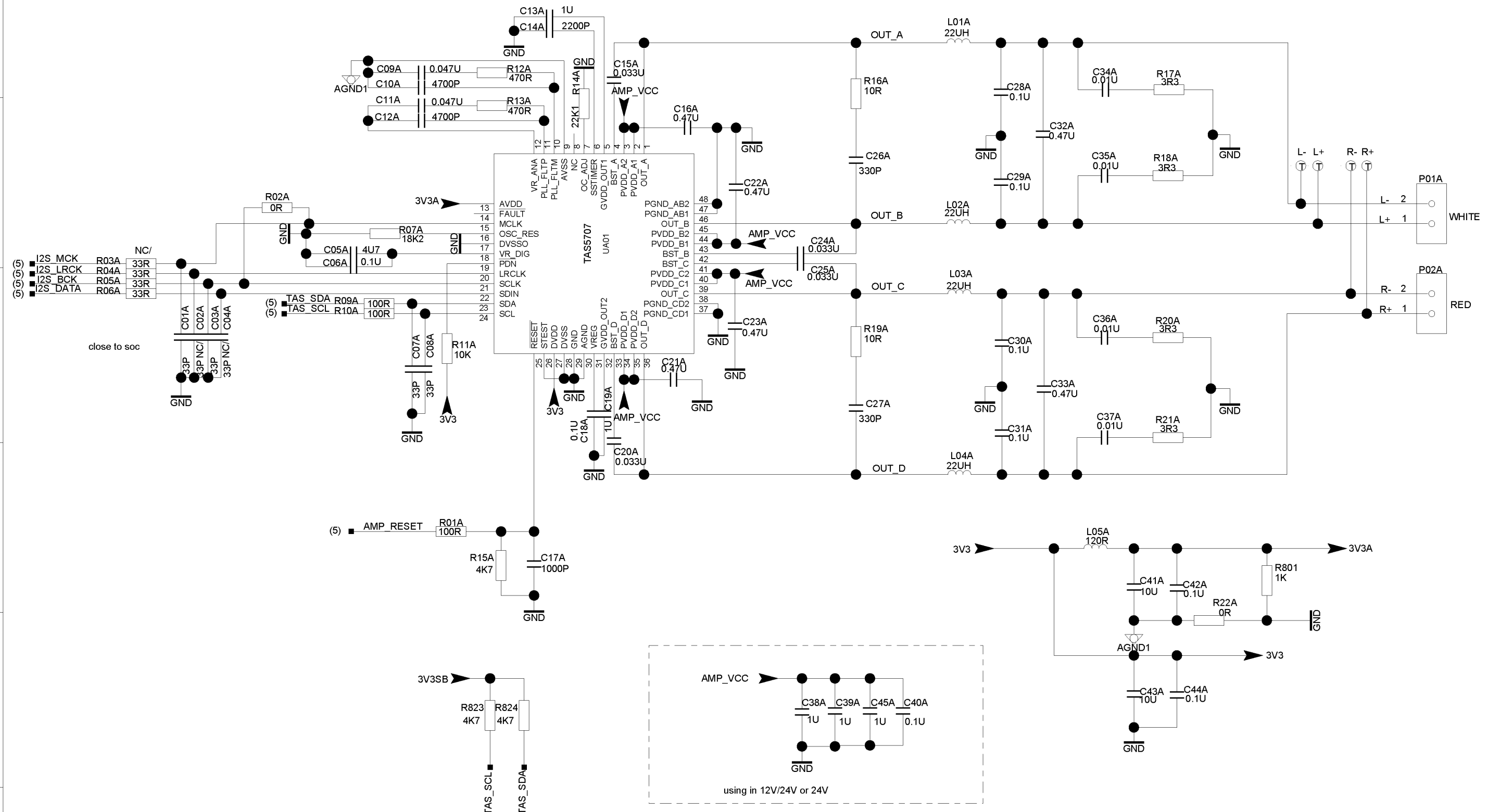


THIS DRAWING CANNOT BE COMMUNICATED TO UNAUTHORIZED PERSONS COPIED UNLESS PERMITTED IN WRITING

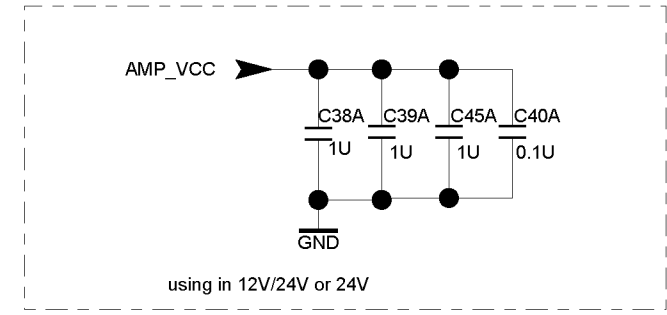


				SBU :		<b>TTE</b>	
				TCLNO: .....			
				<b>DESIGNATION</b>		TCL Thomson Electronics Singapore Pte. Ltd. 8 Jurong Hall Road #28-01/06 The JTC Summit SINGAPORE 609434 Tel (65) 63092900 Fax (65) 63092999	
				DESIGNATION			
Index-Lab	DATE	NAME	DESCRIPTION	Last modif			
<b>Last saved :</b>							
DRAWN		CHECKED		PAGE:			
ON:		ON:		OF :			
BY:		BY:					

# AMP\_AUDIO



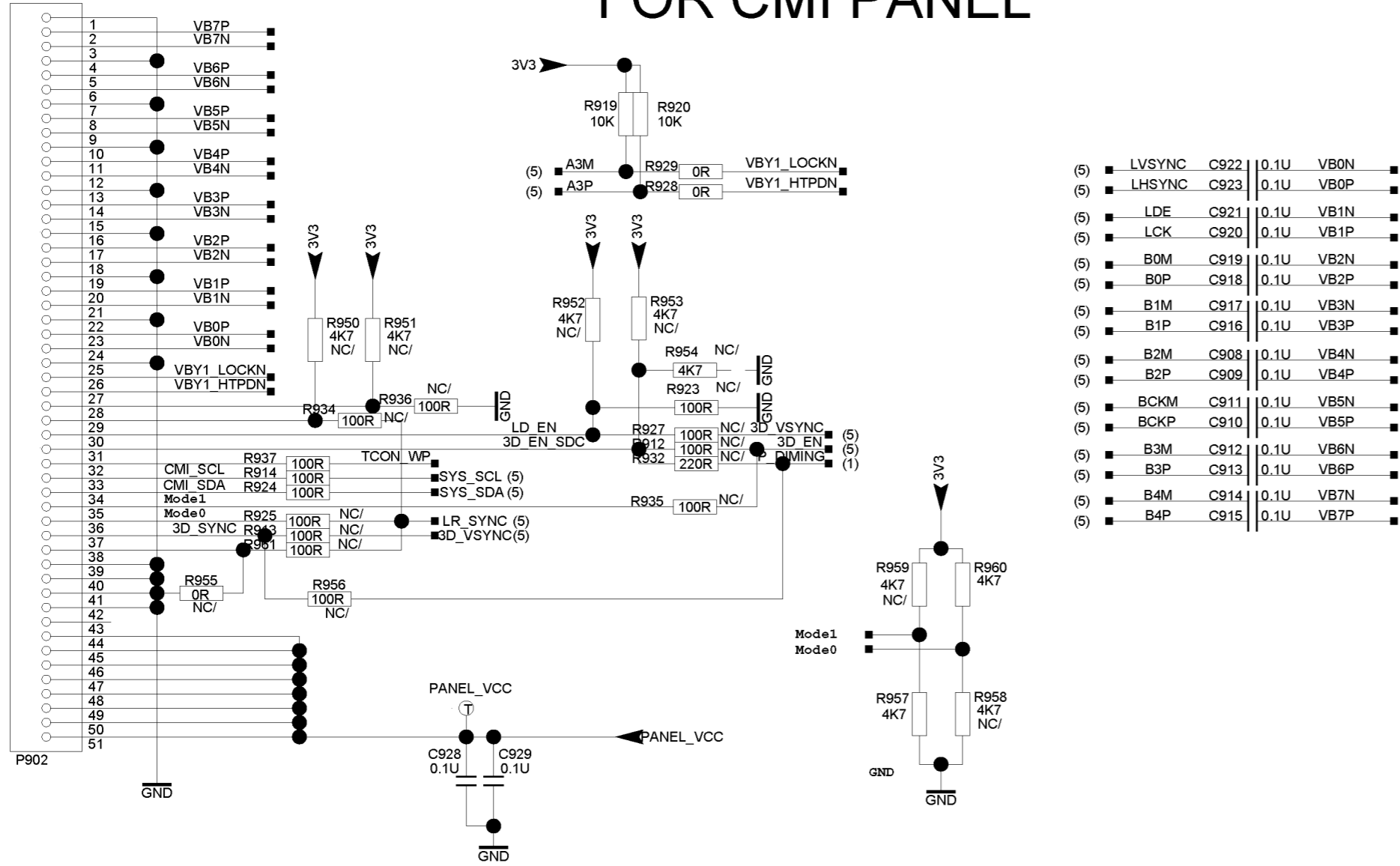
THIS DRAWING CANNOT BE COMMUNICATED TO UNAUTHORIZED PERSONS COPIED UNLESS PERMITTED IN WRITING



					SBU :	 TCL Thomson Electronics Singapore Pte. Ltd. 8 Jurong Town Hall Road #28-01/06 The JTC Summit SINGAPORE 609434 Tel (65) 63092900 Fax (65) 63092999		
					TCLNO: .....			
					DESIGNATION			
					DESIGNATION			
Index-Lab	DATE	NAME	DESCRIPTION	Last modif				
Last saved :								
				DRAWN	CHECKED	PAGE:		
				ON:	ON:	OF :		
				BY:	BY:			

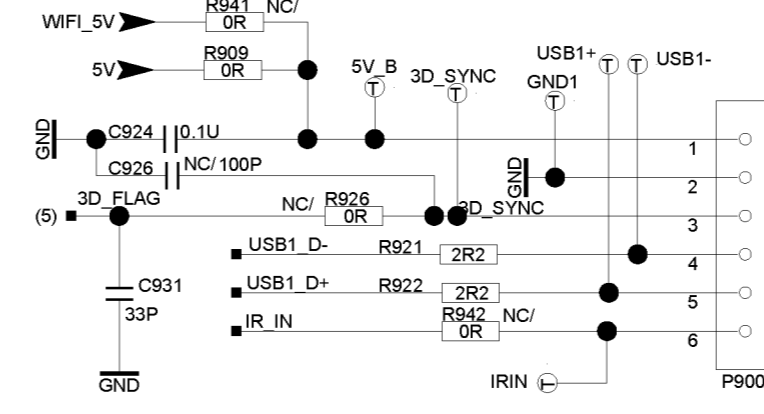


# FOR CMI PANEL

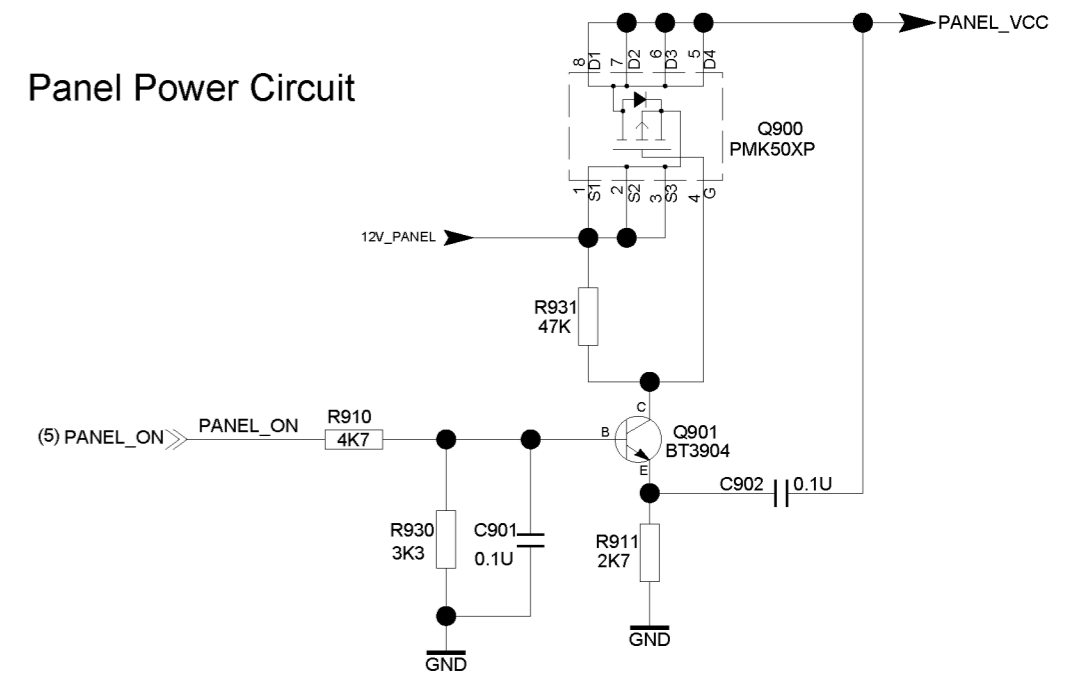


- (5) LVSYN C922 0.1U VB0N
- (5) LHSYN C923 0.1U VB0P
- (5) LDE C921 0.1U VB1N
- (5) LCK C920 0.1U VB1P
- (5) B0M C919 0.1U VB2N
- (5) B0P C918 0.1U VB2P
- (5) B1M C917 0.1U VB3N
- (5) B1P C916 0.1U VB3P
- (5) B2M C908 0.1U VB4N
- (5) B2P C909 0.1U VB4P
- (5) BCKM C911 0.1U VB5N
- (5) BCKP C910 0.1U VB5P
- (5) B3M C912 0.1U VB6N
- (5) B3P C913 0.1U VB6P
- (5) B4M C914 0.1U VB7N
- (5) B4P C915 0.1U VB7P

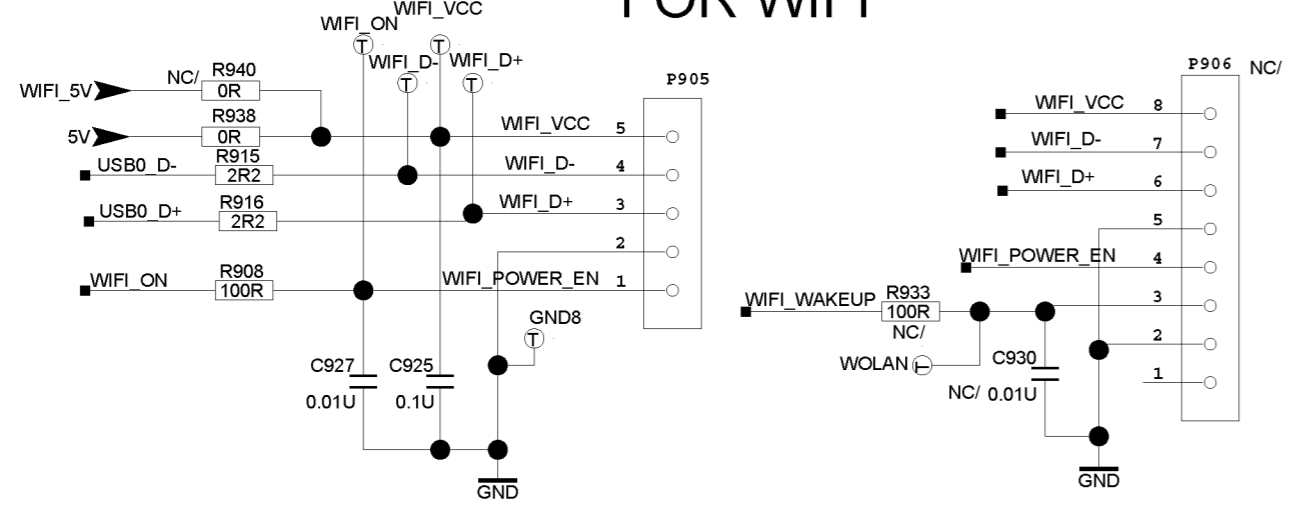
# FOR BLUETOOTH



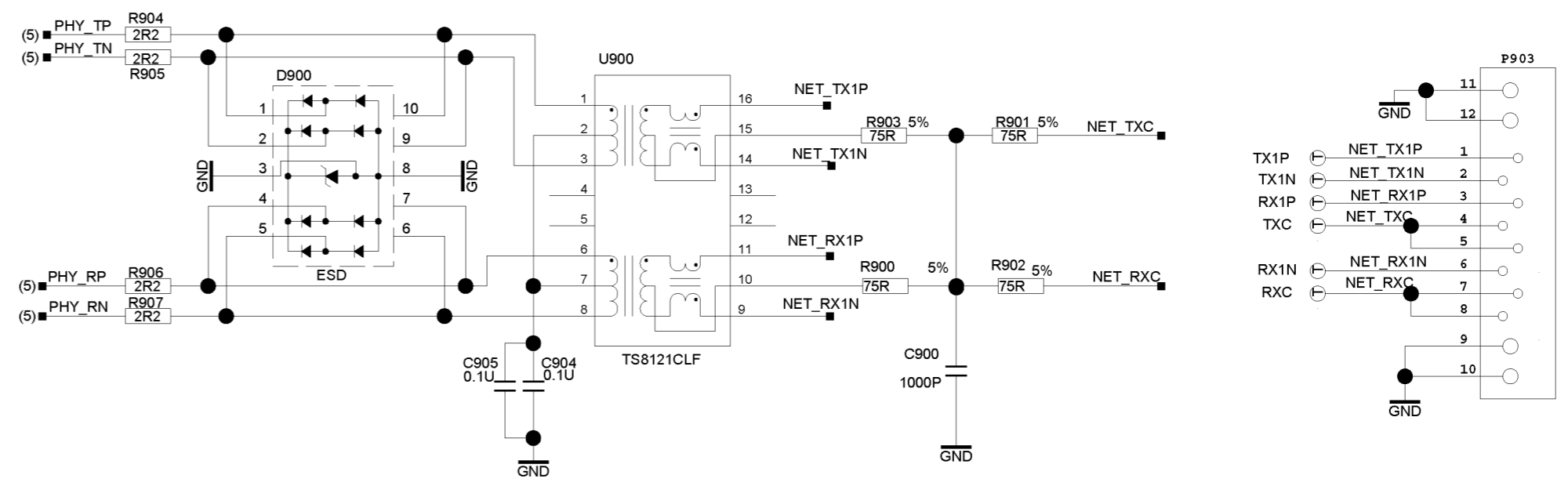
# Panel Power Circuit



# FOR WIFI



# INTERNET



THIS DRAWING CANNOT BE COMMUNICATED TO UNAUTHORIZED PERSONS COPIED UNLESS PERMITTED IN WRITING

SBU :							
TCLNO: .....							
DESIGNATION		TCL Thomson Electronics Singapore Pte. Ltd. 8 Jurong Hall Road #28-01/06 The JTC Summit SINGAPORE 609434 Tel (65) 63092900 Fax (65) 63092999					
Index-Lab	DATE	NAME	DESCRIPTION	DESIGNATION	DRAWN	CHECKED	PAGE:
					ON:	ON:	OF :
Last saved :					BY:	BY:	